

# FSE

FOOD SERVICE EQUIPMENT



CATALOGUE  
**2024**



COMMERCIAL REFRIGERATION AND CATERING EQUIPMENT

[fse.ie](http://fse.ie)

## Download Digital Catalogue/ Product Pages

The latest version of catalogue and product pages are available to download on [www.fse.ie](http://www.fse.ie)



Click to view or download catalogue book or individual pages

## Delivery

Free delivery on selected items. Please refer to individual page for exceptions. Surcharge of same day delivery or time deliveries. Please consult office for further details.

## Transport Notice

Transport agents will not accept retrospective claims for damaged equipment once the delivery docket has been signed. A consignment note signed 'unexamined or unchecked' is not sufficient to uphold a claim. Equipment delivered must be carefully checked/unpacked to ensure it has been received in perfect condition before signing the transport agent's docket. The responsibility of ensuring the goods are received in perfect condition is the responsibility of the consigned and noted the delivery docket. Failure to follow these procedures means that the damaged goods becomes the responsibility of the purchaser.

## Order

Items marked **ORDER** are not in stock and can have a delivery time of between 1-4 weeks depending on the manufacturer. please consult office for further details.

## Trading Conditions

Please refer to back of catalogue for trading conditions.

# CONTENTS

## STAINLESS STEEL

Single Bowl with Single Drainer .....	4
Double Bowl with Double Drainer .....	4
Knee Operated Wash Hand Basin .....	5
Janitorial Sink .....	5
Stainless Steel Tables.....	6
Single Tiered Wall Shelving.....	7
4-Tier Freestanding Wire Shelving .....	8

## CATERING EQUIPMENT

Burcon DSK2 Soup Kettle .....	9
Free Standing 4 Burner Gas Fryer CESG14L.....	10
Burcon MF2D Twin Deck Pizza Oven.....	11
Sharp Commercial Microwaves 21-AT .....	12
Sharp Commercial Microwaves 22AT & 24AT .....	12

## CHILLED & FROZEN STORAGE

Infrio PVS20 Undercounter Steel Door Fridge .....	13
Infrio PVS20N Undercounter Steel Door Freezer .....	13
Infrio PVS40 Slimline Fridge.....	14
Infrio PVS40N Slimline Freezer.....	14
Infrio AGB701SL Stainless Steel Fridge.....	15
Infrio AGB701N Stainless Steel Freezer .....	16
Infrio AGB1300SL Stainless Steel Double Door Fridge .....	17
Infrio AGB1300SL Stainless Steel Double Door Freezer.....	18
Infrio Pro A400P Slimline Fridge .....	19
Infrio Pro A400N Slimline Freezer.....	19
Infrio Pro GN700P Stainless Steel Single Door Fridge.....	20
Infrio Pro GN700N Stainless Steel Single Door Freezer .....	20
Infrio AN1001 Slimline Double Door Fridge.....	21
Infrio AN1001BT Slimline Double Door Freezer.....	22
Infrio Pro GN1400P Stainless Steel Double Door Fridge .....	23
Infrio Pro GN1400N Stainless Steel Double Door Freezer.....	24
Infrio 2DR Refrigerated Counter .....	25
Infrio 3DR Refrigerated Counter.....	26
Infrio BMGN1360 Refrigerated Table.....	27
Infrio BMGN1800 Refrigerated Table.....	28
Infrio BMGN2200 Refrigerated Table.....	29
Infrio Pro MR1400 GN 1/1 Refrigerated Table .....	30
Infrio Pro MR1800G GN1/1 Refrigerated Table .....	31
Infrio Pro MR2300 GN 1/1 Refrigerated Table .....	32
Infrio Pro MR1400BT GN 1/1 Freezer Table.....	33
Infrio Pro MR1800BT GN 1/1 Freezer Table.....	34
Infrio Bi Temperature 1-Drawer Counter .....	35
Infrio Bi Temperature 2-Drawer Counter .....	36
Infrio 2DR Sadalette.....	37
Infrio 3DR Sadalette.....	37
Infrio Ingredients Counter PZ .....	38
Infrio MPL1800 Ingredients Counter .....	39
Infrio SHT3080MT Ingredients Counter .....	40
Infrio Pro Ingredients Counter IC1800 .....	41
Infrio Ingredient Unit Counter Top VIP .....	42
Infrio AMX 1 Blast Chiller/Freezer .....	43
Infrio AMX 2 Blast Chiller/Freezer .....	44
Infrio AMX 10 Blast Chiller/Freezer .....	45
Infrio AMX 14 Blast Chiller/Freezer .....	46
Infrio Pro FBC5 Blast Chiller/Freezer .....	47
Infrio Pro FBC10 Blast Chiller/Freezer.....	48
Infrio BD390SS Chest Freezer.....	49
Infrio CF2000 Chest Freezer.....	49

## DISHWASHERS

DIHR D35 & D40 Glasswasher .....	50
DIHR GS50T Dishwasher with Digital Display .....	51
DIHR HT11 Eco Hood Dishwasher .....	52

## CHILLED

Infrio ESC400G Glass Door Display Fridge.....	53
Infrio FS380 Glass Door Display Fridge.....	54
Infrio P1300 Double Hinged Glass Door Fridge .....	55
Infrio P100SD Double Sliding Glass Door Fridge .....	56
Infrio 150H Back Bar Fridges.....	57
Infrio 250H Back Bar Fridges.....	58
Infrio 250S Back Bar Fridges .....	58
Infrio 350H Back Bar Fridges.....	59
Infrio BBC150H Back Bar Fridges.....	62
Infrio BBC250H Hinged Back Bar Fridges.....	61
Infrio BBC250S Sliding Door Back Bar Fridges .....	62
Infrio BBC350H Hinged Back Bar Fridges.....	62
Infrio BBCSS250H Sliding Back Bar Fridges.....	64
Arche C Max Xp Spider Display .....	66
libra Tiered Display .....	67
Sirio Squared Glass Serve .....	68
Amalia Delux Square Glass Serve Over .....	69
Amalia VCE Curved Glass Serve Over .....	70
Meal System Curved Display .....	71
Meal System Matching Square Display .....	72
LEO Tiered Refrigerated Display .....	73
LEO Tiered Squared Glass Refrigerated Display .....	74

## MULTI-DECKS

Cronus Low Level Multideck .....	76
Cronus Stainless Steel Multideck.....	77
Cronus Painted Multideck.....	78
Cronus Plus Stainless Steel Multideck.....	79
Cronus Painted Multideck.....	80
Cronus EM Shutter Multi-Deck .....	81
Ultra Multideck with Glass Door.....	82
Antartica Remote Multi-Deck .....	83
Antartica Remote Multi-Deck with Glass Door.....	84

## GLASS DOOR FREEZER

Infrio 390BT Single Glass Door Freezer.....	84
Infrio VF500 Single Glass Door Freezer .....	85
Infrio EIS1300 Double Glass Door Freezer .....	86
Infrio ES1000 Double Glass Door Freezer .....	87
Infrio EIS2000 Triple Glass Door Freezer.....	88

## GENERAL INFORMATION

General Operation & Maintenance Guidelines.....	89
---	----



## Single Bowl with Single Drainer

- Undershelf
- Waste Overflow Strainer Type 270mm
- 7" centre mixer taps with 151mm wrist levers carton box packaging
- Bullet feet stainless steel
- Upstand 100mm
- Stepped at back for piping

ONLY  
€763



12SBSDR



Drainer Right(R) or Left(L)

Model	Dimensions ( L x D x H mm )	Bowl Dimensions (Lx D X H)	Price
12SBSDR	1200 x 700 x 900	500 x 500 x300	€763
12SBSDL	1200 x 700 x 900	500 x 500 x300	€763

## Double Bowl with Double Drainer

- Double bowl double drainer
- Undershelf
- Waste Overflow Strainer Type 270mm
- 7" centre mixer taps with 151mm wrist levers
- Carton box packaging
- Bullet feet stainless steel
- Upstand 100mm
- Stepped at back for piping
- Drainer 340mm

ONLY  
€1254



18DBDD



Model	Dimensions ( L x D x H mm )	Bowl Dimensions (Lx D X H)	Price
18DBDD	1800 x 700 x 900	500 x 500 x300	€1,254

Please refer to manufacturers catalogue book for full product specifications and exact product colours

# Knee Operated Wash Hand Basin

- Knee operated wash hand basin
- Mixer Tap
- Wall mounted

ONLY  
€263



WHBKO

Model	Dimensions ( L x D x H mm )	Weight	Price
WHBKO	400 x 330 x 235		€263

# Janitorial Sink

- Lift off bucket rest
- Mounted Tap
- Stainless steel wash basin and bucket sink
- Dimensions:
- Bowl Size: 400 x 400 x 200mm

ONLY  
€644



JANS01

Model	Dimensions ( L x D x H mm )	Weight	Price
JANS01	500 x 600 x 850mm		€644

Please refer to manufacturers catalogue book for full product specifications and exact product colours

# Stainless Steel Tables

- Undershelf
- Bullet feet stainless steel
- Upstand 100mm
- Stepped at back for piping

ONLY  
€ 292



ST1500

Model	Dimensions ( L x D x H mm )	Price
ST900	900 x 700 x 900	€292
ST1500	1500 x 700 x 900	€454

Please refer to manufacturers catalogue book for full product specifications and exact product colours

# Single Tiered Wall v

- Stainless steel construction
- Two tier (individual wall shelves and brackets)

ONLY  
€117



WS1200

Model	Dimensions ( L x D x H mm )	Price
WS900	900 x 350	€117
WS1200	1200 x 350	€154
WS1500	1500 x 350	€208

Please refer to manufacturers catalogue book for full product specifications and exact product colours

# 4-Tier Freestanding Wire Shelving

- 4 x 460mm Depth Shelves
- 4 x 1800mm Posts
- 16 x Shelf Clips
- Finish: Zinc Epoxy Platinum Silver

ONLY  
€182

STAINLESS STEEL



Model	Dimensions ( L x D x H mm )	Price
WS910	910 x 455 x 1800	€182
WS1220	1220 x 455 x 1800	€201
WS1520	1520 x 455 x 1800	€225

Please refer to manufacturers catalogue book for full product specifications and exact product colours



# Burcon DSK2SS Soup Kettle

**Burcon**



- Temperature range 30°C – 95°C
- Digitally controlled
- Insulated Pot
- Flip lid with ladle notch
- No water required
- Energy Saving
- Stainless Steel Body

ONLY  
**€154**

DSK2SS

Model	Dimensions ( L x D x H mm )	Capacity	Weight ( Kg )	Price
DSK2SS*	340 x 375 x 325 (H)	11 Litre	8	€154

Please refer to manufacturers catalogue book for full product specifications and exact product colours

# Free Standing 4 Burner Gas Fryer CESG14L

- 4 burners 120,000 BTU
- Oil capacity 25 litres
- Thermopile thermocouple for fast recovery
- Twin basket
- Single tank
- 1 year tank warranty
- Cool zone
- Pilot light



ONLY  
**€ 1,335**



CESG14L/LN

Model	Dimensions ( L x D x H mm )	Connection	Weight (Kg)	Price
CESG14NG	394 x 759 x 1195	1/2"	80	€1,335
CESG14LPG	394 x 759 x 1195	1/2"	80	€1,335

Please refer to manufacturers catalogue book for full product specifications and exact product colours

# Burcon MF2D Twin Deck Pizza Oven

- Thermostatically controlled Max 450°C
- Top and bottom heating and control
- Internal lights
- Grooved base pizza stone
- 2 x 5000w Individual cables to wire for single or three phase
- Chamber 650 x 650 x 150mm (H)

**Burcon**

ONLY  
**€2,354**



MF2D

CATERING

Model	Dimensions ( L x D x H mm )	Power	Weight ( Kg )	Price
MF2D	950 x 760 x 375mm	2 x 5kw	140	€2,354

Please refer to manufacturers catalogue book for full product specifications and exact product colours

## Sharp Commercial Microwaves 21-AT

- 1000watts
- 20 preset controls
- Variable power levels

ONLY  
€735



21-AT

Model	Dimensions ( L x D x H mm )	Weight (kg)	Power	Price
21-AT	520 x 406 x 309	20	1000	€735

## Sharp Commercial Microwaves 22AT & 24AT

- 22AT 1500watt
- 24AT 1900watt
- 20 preset memory
- 11 power levels
- Express defrost

ONLY  
€1,550



22-AT

Model	Dimensions ( L x D x H mm )	Weight (kg)	Power	Price
22-AT	520x 470 x 335	35	1500	€1,550
24-AT	520 x 470 x 335	37	1900	€1,539

Please refer to manufacturers catalogue book for full product specifications and exact product colours

## Infrio PVS20 Undercounter Steel Door Fridge

- Temp +1°C/+10°C
- Fan assisted
- Lockable
- Stainless steel exterior
- Electronic Controller
- Energy Rating B

# Infrio



BUY ONE  
ONLY  
**€1050**

BUY TWO  
ONLY  
**€980**

BUY FOUR  
ONLY  
**€905**

PVS20

Model	Dimensions ( L x D x H mm )	Capacity ( L )	Shelves	Weight ( Kg )	Price
PVS20	600 x 585 x 845	135	3pcs	49	€1,050

## Infrio PVS20N Undercounter Steel Door Freezer

- Temp -18°C
- Static fixed shelf
- Lockable
- Stainless steel exterior
- Electronic Controller
- Energy Rating B

# Infrio



BUY ONE  
ONLY  
**€1117**

BUY TWO  
ONLY  
**€1020**

BUY FOUR  
ONLY  
**€999**

PVS20N

Model	Dimensions ( L x D x H mm )	Capacity ( L )	Shelves	Weight ( Kg )	Price
PVS20N	600 x 585 x 845	135	3pcs	49	€1,117

Please refer to manufacturers catalogue book for full product specifications and exact product colours



# Infrio Slimline Fridge and Freezer

## PVS40 FRIDGE

- Temp +1°C/+10°C
- Fan assisted
- Lockable
- Stainless steel exterior
- Electronic Controller
- Door hinged left or right
- ABS Interior
- Energy Rating C

ONLY  
€1,426



PVS40

Model	PVS40
Dimensions ( L x D x H mm )	600 x 585 x 1855
Capacity ( L )	350
Shelves	4pcs
Weight ( Kg )	74
Price	€1,426

# Infrio

## PVS40N FREEZER

- Temp -18°C
- Static fixed shelf
- Lockable
- Stainless steel exterior
- Electronic Controller
- Door hinged left or right
- ABS Interior
- Energy Rating C

ONLY  
€1,263



PVS40N

Model	PVS40N
Dimensions ( L x D x H mm )	600 x 585 x 1855
Capacity ( L )	350
Shelves	6pcs
Weight ( Kg )	84
Price	€1,263

Please refer to manufacturers catalogue book for full product specifications and exact product colours

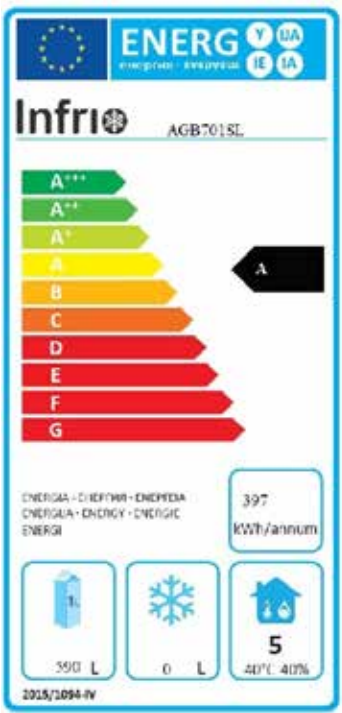
# Infrio AGB701SL Stainless Steel Refrigerated Cabinet



AGB701SL

- AGB701SL FRIDGE**
- Temp fridge: -2°C/+8°C
  - 100mm Insulation for better energy efficiency
  - Stainless steel interior/exterior with rounded internal corners
  - Self closing door
  - Fully automatic operation
  - Electronic controller
  - Variable speed controlled compressor
  - 3 grills per door
  - Shelf and support designed to accommodate 2/1 GN
  - Castors
  - Energy Rating A

ONLY  
**€1908**



CHILLED & FROZEN STORAGE

Model	Dimensions ( L x D x H mm )	Capacity ( L )	Weight ( Kg )	Price
AGB701SL Single Door Refrigerator	740 x 875 x 2090	590	145	€1908

Please refer to manufacturers catalogue book for full product specifications and exact product colours

# Infrio AGB701N Stainless Steel Freezer Cabinet



## AGB701N FREEZER

- Temp fridge: -18°C/-22°C
- 100mm Insulation for better energy efficiency
- Stainless steel interior/exterior with rounded internal corners
- Self closing door
- Fully automatic operation
- Electronic controller
- 3 grills per door
- Shelf and support designed to accommodate 2/1 GN
- Castors
- Energy Rating B

ONLY  
€ 2090

AGB701N

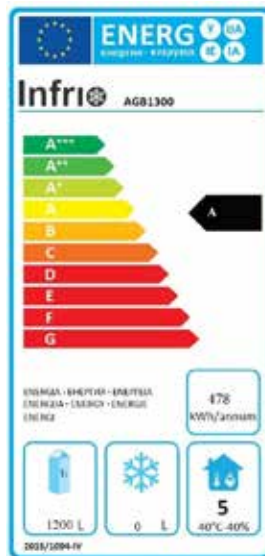
Model	Dimensions ( L x D x H mm )	Capacity ( L )	Weight ( Kg )	Price
AGB701N Single Door Freezer	740 x 875 x 2090	590	145	€2090

Please refer to manufacturers catalogue book for full product specifications and exact product colours

# Infrio AGB1300SL Stainless Steel Refrigerated Cabinet



AGB1300SL



ONLY  
€2863

## AGB1300SL FRIDGE

- Temp fridge: -2°C/+8°C
- 90mm Insulation for better energy efficiency
- Stainless steel interior/exterior with rounded internal corners
- Self closing door
- Fully automatic operation
- Electronic controller
- Variable speed controlled compressor
- 3 grills per door
- Shelf and support designed to accommodate 2/1 GN
- Castors
- Energy Rating A

Model	Dimensions ( L x D x H mm )	Capacity ( L )	Weight ( Kg )	Price
AGB1300SL Double Door Refrigerator	1420 x 875 x 2090	1200	241	€2863

Please refer to manufacturers catalogue book for full product specifications and exact product colours

# Infrio AGB1300N Stainless Steel Freezer Cabinet



AGB1300N



ONLY  
€3217

*Available FEB 2024*

- AGB1300N FREEZER**
- Temp fridge: -18°C/-22°C
  - 90mm Insulation for better energy efficiency
  - Stainless steel interior/exterior with rounded internal corners
  - Self closing door
  - Fully automatic operation
  - Electronic controller
  - 3 grills per door
  - Shelf and support designed to accommodate 2/1 GN
  - Castors
  - Energy Rating B

Model	Dimensions ( L x D x H mm )	Capacity ( L )	Weight ( Kg )	Price
AGB1300N Double Door Freezer	1420 x 875 x 2090	1200	267	€3217

Please refer to manufacturers catalogue book for full product specifications and exact product colours



# Professional Range Single Door Slimline Fridge/Freezer

**Infri**  **PRO**

Made In Turkey



A400P

## A400P

- Temp fridge: -2°C/+8°C
- Ambient temp 45°C + 65% RH
- Fan assisted
- Stainless steel externally/internally
- Non-protruding evaporator
- Castors
- Digital controller
- Electric defrost
- R290
- Energy rating E
- Supplied with 3 shelves

ONLY  
€ 1,818

## A400N

- Temp freezer BT: -10°C/-22°C
- Ambient temp 45°C + 65% RH
- Fan assisted
- Stainless steel externally/internally
- Non-protruding evaporator
- Castors
- Digital controller
- R290
- Energy rating E
- Supplied with 3 shelves

ONLY  
€ 2,120

Options	Price
Grills	€24
Guides	€26

Model	Dimensions ( L x D x H mm )	Capacity ( L )	Weight ( Kg )	Price
A400P	600 x 600 x 1950	400	105	€1,818
A400N	600 x 600 x 1950	400	110	€2,120

Please refer to manufacturers catalogue book for full product specifications and exact product colours

# Professional Range 2/1 GN Single Door Fridge

**Infri**  **PRO** *Made In Turkey*

## GN700P Fridge

- Temp fridge: -2°C/+8°C
- Ambient temp 45°C + 65% RH
- Fan assisted
- Stainless steel externally/internally
- Non-protruding evaporator
- Castors
- Digital controller
- Electric defrost
- R290
- Supplied with 3 shelves
- Energy rating B

ONLY  
**€2,064**

## GN700N Freezer

- Temp freezer: -10°C/-22°C
- Ambient temp 45°C + 65% RH
- Fan assisted
- Stainless steel externally/internally
- Non-protruding evaporator
- Castors
- Digital controller
- R290
- Supplied with 3 shelves
- Energy rating E

ONLY  
**€2,477**

### Options

Options	Price
2/1 GN Grills	€34
2/1 GN Guides	€26



**GN700P**

Model	Dimensions ( L x D x H mm )	Capacity ( L )	Weight ( Kg )	Price
GN700P	700 x 810 x 2050	700	138	€2,064
GN700N	700 x 810 x 2050	700	138	€2,477

Please refer to manufacturers catalogue book for full product specifications and exact product colours

# Infrío Slimline Stainless Steel Double Door Fridge

# Infrío

ONLY  
€2,541



AN1001

## AN1000 FRIDGE

- Temp fridge: +2°C/+8°C
- 43°C Working Temperature
- Fan assisted
- Stainless steel interior/exterior with rounded internal corners
- Lockable
- Fully automatic operation
- Electronic controller
- 3 grills per door
- Castors
- Energy Rating C

Options	Price
Grills	€34
Guides	€26

Model	Dimensions ( L x D x H mm )	Capacity ( L )	Weight ( Kg )	Price
AN1001	1220 x 760 x 1980	1000	152	€2,541

Please refer to manufacturers catalogue book for full product specifications and exact product colours

CHILLED & FROZEN STORAGE

# Infrio Slimline Stainless Steel Double Door Freezer

## Infrio

ONLY  
€2,717



AN1001 BT

### AN1000BT FREEZER

- Temp fridge: -18°C/-22°C
- 43°C Working Temperature
- Fan assisted
- Stainless steel interior/exterior with rounded internal corners
- Lockable
- Fully automatic operation
- Electronic controller
- 3 grills per door
- Castors

### Options

### Price

Grills	€34
Guides	€26

Model	Dimensions ( L x D x H mm )	Capacity ( L )	Weight ( Kg )	Price
AN1001BT	1220 x 760 x 1980	1000	168	€2,717

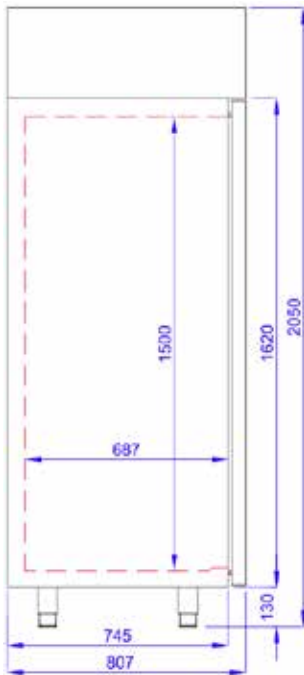
Please refer to manufacturers catalogue book for full product specifications and exact product colours

# Professional Range 2/1 GN Double Door Fridge

**Infri**  **PRO**

Made In Turkey

ONLY  
**€3,072**



CHILLED & FROZEN STORAGE

**GN1400P**

- Temp fridge: -2°C/+8°C
- Ambient temp 45°C + 65% RH
- Fan assisted
- Stainless steel externally/internally
- Non-protruding evaporator
- Castors
- Digital controller
- Electric defrost
- R290
- Energy rating B



Options	Price
2/1 GN Grills	€34
2/1 GN Guides	€26

Model	Dimensions ( L x D x H mm )	Capacity ( L )	Weight ( Kg )	Price
GN1400P	1400 x 810 x 2050	1400	217	€3,072

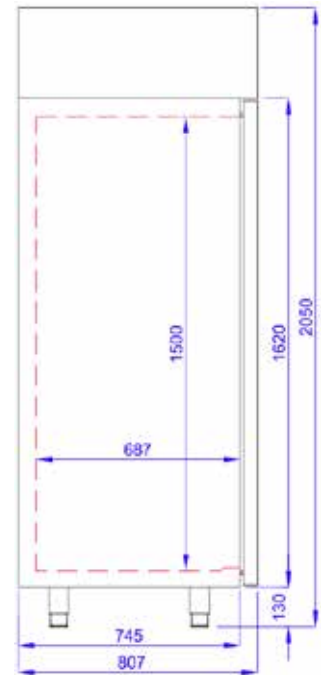
Please refer to manufacturers catalogue book for full product specifications and exact product colours



# Professional Range 2/1 GN Double Door Freezer

**Infrio** PRO  
 Made In Turkey

ONLY  
**€3,586**



**GN1400N**



**Options**

Options	Price
2/1 GN Grills	€34
2/1 GN Guides	€26

- Temp freezer BT: -10°C/-22°C
- Fan assisted
- Ambient temp 45°C + 65% RH
- Stainless steel externally/internally
- Non-protruding evaporator
- Castors
- Digital controller
- R290
- Energy rating E

Model	Dimensions ( L x D x H mm )	Capacity ( L )	Weight ( Kg )	Price
GN1400N	1400 x 810 x 2050	1400	231	€3,586

Please refer to manufacturers catalogue book for full product specifications and exact product colours

# Infrío 2DR Refrigerated Counter

- Temp range: +2°C/+8°C
- Fan assisted
- Stainless Steel interior/exterior
- Fully automated operation with digital controller
- 1 Grill per door

## Infrío

ONLY  
€1,444



S90T

Options	Price
2 Drawer Set	€245

Modal	Dimensions ( L x D x H mm )	Capacity ( L )	Price
S90T	900 x 700 x 870	257	€1,444

Please refer to manufacturers catalogue book for full product specifications and exact product colours

# Infrio 3DR Refrigerated Counter

# Infrio

ONLY  
€1,735



- Temp range: +2°C/+8°C
- Fan assisted
- Stainless Steel interior/exterior
- Fully automated operation with digital controller
- 1 Grill per door



S103T

Options	Price
2 Drawer Set	€245

Modal	Dimensions ( L x D x H mm )	Capacity ( L )	Price
S103T	1368 x 700 x 870	400	€1,735

Please refer to manufacturers catalogue book for full product specifications and exact product colours

# Infrio Refrigerated Table BMGN 1360S

- Temp fridge (TN): -2°C/+5°C
- Fully automatic operation with digital controller
- Stainless steel interior/exterior with rounded internal corners
- Ventilated refrigeration
- Rounded corners
- Fan Assisted
- With/without Splash Back
- 1 Grill per door
- Energy Rating C

# Infrio

ONLY  
€1,790



BMGN 1360S

CHILLED & FROZEN STORAGE

Options	Price
1/1 GN Grills	€34
1/1 GN Guides	€26
2 Drawer Set	€426
3 Drawers Set	€626



2 OR 3 DRAWER KIT INSTEAD OF DOOR

Model	Dimensions ( L x D x H mm )	Door	Weight ( Kg )	Price
BMGN 1360 (s) s = Splash Back	1360 x 700 x 842	2	130	€1,790

Please refer to manufacturers catalogue book for full product specifications and exact product colours

# Infrío Refrigerated Table BMGN1800

- Temp fridge (TN): -2°C/+5°C
- Fully automatic operation with digital controller
- Stainless steel interior/exterior with rounded internal corners
- Ventilated refrigeration
- Rounded corners
- Fan Assisted
- With/without Splash Back
- 1 Grill per door

# Infrío

ONLY  
€1,981



BMGN 1800S

## Options

Options	Price
1/1 GN Grills	€26
1/1 GN Guides	€26
2 Drawer Set	€426
3 Drawers Set	€626



2 OR 3 DRAWER KIT

Model	Dimensions ( L x D x H mm )	Door	Weight ( Kg )	Price
BMGN 1800 (s) s = Splash Back	1795 x 700 x 842	3	179	€1,981

Please refer to manufacturers catalogue book for full product specifications and exact product colours

# Infrío Refrigerated Table BMGN2200

- Temp fridge (TN): -2°C/+5°C
- Fully automatic operation with digital controller
- Stainless steel interior/exterior with rounded internal corners
- Ventilated refrigeration
- Rounded corners
- Fan Assisted
- With/without Splash Back
- 1 Grill per door
- Energy Rating C

## Infrío

ONLY  
€2,454



BMGN 2200S



2 OR 3 DRAWER KIT

Options	Price
1/1 GN Shelves	€26
1/1 GN Guides	€26
2 Drawer Set	€426
3 Drawers Set	€626

Model	Dimensions ( L x D x H mm )	Door	Weight ( Kg )	Price
BMGN 2200 (s) s = Splash Back	2230 x 700 x 842	4	228	€2,454

Please refer to manufacturers catalogue book for full product specifications and exact product colours

# Professional Range GN 1/1 Refrigerated Table

**Infri**  **PRO**

Made In Turkey

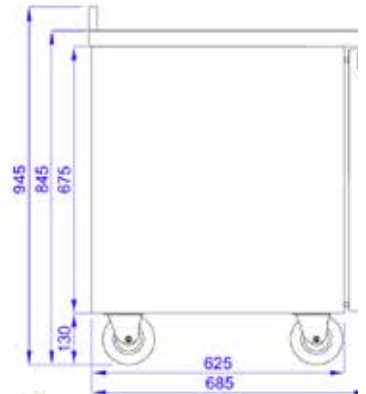
ONLY  
**€2,091**



## MR1400G

- Temp fridge: -2°C/+8°C
- Double internal fan
- Stainless steel externally/internally
- Castors
- Digital controller
- Electric defrost
- R290
- Supplied with 1 shelf per door

\*Ambient temp 45°C + 65% RH



**2 OR 3 DRAWER KIT**

Options	Price
1/1 GN Grills	€35
1/1 GN Guides	€26
2 Drawer Set	€444
3 Drawers Set	€626

Model	Dimensions ( L x D x H mm )	Door	Weight ( Kg )	Price
MR1400G (S) S = Splash Back	1400 x 700 x 845 (945)	2	136	€2,091

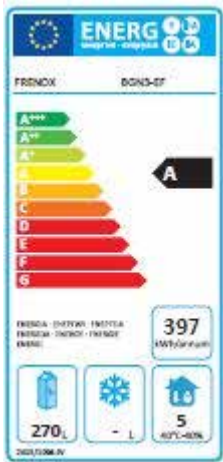
Please refer to manufacturers catalogue book for full product specifications and exact product colours



# Professional Range GN 1/1 Refrigerated Table

**Infri**  **PRO**  
 Made In Turkey

ONLY  
**€2,528**

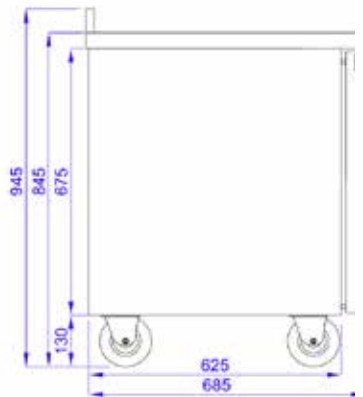


CHILLED & FROZEN STORAGE

## MR1800G

- Temp fridge: -2°C/+8°C
- Double internal fan
- Stainless steel externally/internally
- Castors
- Digital controller
- Electric defrost
- R290
- Supplied with 1 shelf per door

\*Ambient temp 45°C + 65% RH



## 2 OR 3 DRAWER KIT

Options	Price
1/1 GN Grills	€35
1/1 GN Guides	€26
2 Drawer Set	€444
3 Drawers Set	€626

Model	Dimensions ( L x D x H mm )	Door	Weight ( Kg )	Price
MR1800G (S) S = Splash Back	1865 x 700 x 845 (945)	3	175	€2,528

Please refer to manufacturers catalogue book for full product specifications and exact product colours

# Professional Range GN 1/1 Refrigerated Table

**Infri**  **PRO**  
 Made In Turkey

ONLY  
**€3,090**

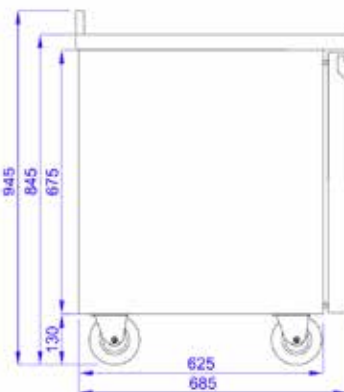
2  
 Years  
 Parts Warranty



**MR2300**

- Temp fridge: -2°C/+8°C
- Double internal fan
- Stainless steel externally/internally
- Castors
- Digital controller
- Electric defrost
- R290
- Supplied with 1 shelf per door

\*Ambient temp 45°C + 65% RH



**2 OR 3 DRAWER KIT**

Options	Price
1/1 GN Grills	€35
1/1 GN Guides	€26
2 Drawer Set	€444
3 Drawers Set	€626

Model	Dimensions ( L x D x H mm )	Door	Weight ( Kg )	Price
MR2300G (S) S = Splash Back	2330 x 700 x 845 (945)	4	205	€3,090

Please refer to manufacturers catalogue book for full product specifications and exact product colours

# Professional Range GN 1/1 Freezer Table

**Infrio** PRO

Made In Turkey

ONLY  
**€2,619**

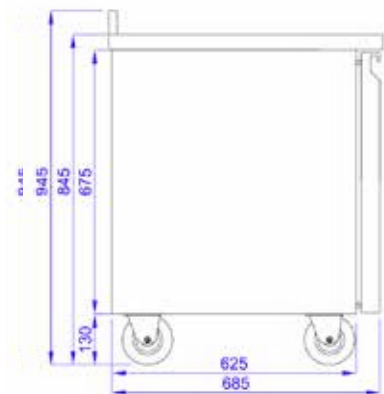
2  
Years  
Parts Warranty



**MR1400BT**

- Temp freezer: -18°C
- Double internal fan
- Stainless steel externally/internally
- Castors
- Digital controller
- Electric defrost
- R290
- Supplied with 1 shelf per door
- Energy rating E

\*Ambient temp 45°C + 65% RH



Options	Price
1/1 GN Grills	€35
1/1 GN Guides	€26

Model	Dimensions ( L x D x H mm )	Door	Weight ( Kg )	Price
MR1400BT (S) S = Splash Back	1400 x 700 x 845 (945)	2	136	€2,619

Please refer to manufacturers catalogue book for full product specifications and exact product colours

# Professional Range GN 1/1 Freezer Table

**Infrio** PRO  
 Made In Turkey

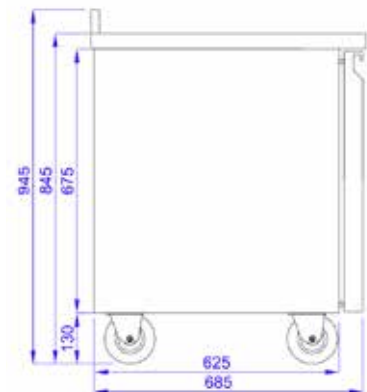
ONLY  
**€3,213**



## MR1800BT

- Temp freezer: -18°C
- Double internal fan
- Stainless steel externally/internally
- Castors
- Digital controller
- Electric defrost
- R290
- Supplied with 1 shelf per door
- Energy rating E

\*Ambient temp 45°C + 65% RH



Options	Price
1/1 GN Grills	€35
1/1 GN Guides	€26

Model	Dimensions ( L x D x H mm )	Door	Weight ( Kg )	Price
MR1800BT (S) S = Splash Back	1865 x 700 x 845 (945)	3	175	€3,213

Please refer to manufacturers catalogue book for full product specifications and exact product colours

# Infrío Bi Temperature Drawer Counter

# Infrío

ONLY  
€1,854

- Bi-Temperature +1oC ~ +4oC or -18oC ~ 21oC
- Digital Display
- Stainless steel internal/external
- Castors
- GN capacity depth 150mm
- Energy Rating C



UCB900-1D

Model	Dimensions ( L x D x H mm )	Capacity (L)	Price
UCB900-1D	905 x 700 x 565	78	€1,854
UCB1200-1D	1230 x 700 x 565	116	€1,790

Please refer to manufacturers catalogue book for full product specifications and exact product colours

# Infrío Bi Temperature 2-Drawer Counter

# Infrío

- Bi-Temperature +1°C ~ +4°C / -18°C ~ 21°C
- Digital Display
- Stainless steel internal/external
- Castors
- GN capacity depth 150mm

ONLY  
€2,117

**AVAILABLE FROM FEB 2023**



UCB900-2D

Model	Dimensions ( L x D x H mm )	Capacity (L)	Price
UCB900-2D	905 x 700 x 830	179	€2,117
UCB1200-2D	1200 x 700 x 830		€2,672

Please refer to manufacturers catalogue book for full product specifications and exact product colours

## Infrío 2DR Saladette

- Temp +2°C/+8°C
- Fan assisted
- Stainless steel interior and exterior
- Fully automated operation with digital controller
- 1 Grill per door

# Infrío

ONLY  
€1,444



S90

Model	Dimensions ( L x D x H mm )	Weight ( Kg )	Price
S90	900 x 700 x 860	85	€1,444

## Infrío 3DR Saladette

- Temp +2°C/+8°C
- Fan assisted
- Stainless steel interior and exterior
- Fully automated operation with digital controller
- 1 Grill per door

# Infrío

ONLY  
€1,826



S903

Model	Dimensions ( L x D x H mm )	Weight ( Kg )	Price
S903	1365 x 700 x 860	122	€1,826

Please refer to manufacturers catalogue book for full product specifications and exact product colours



# Infrio Ingredients Counter PZ

# Infrio

ONLY  
€1,990



- Temp Range:  $\pm 1^{\circ}\text{C}/+8^{\circ}\text{C}$
- Fan Assisted
- Fully automatic operation
- Electronic controller
- Stainless steel interior/exterior
- 1 Grill and set of supports per door
- Castors
- Containers not included
- Preparation board 235mm

**AVAILABLE FROM FEB 2023**



MR 1200PZ

Model	Dimensions ( L x D x H mm )	Door	GN1/3	Weight ( Kg )	Price
MR 1200PZ	1225 x 760 x 1100	2	6	102	€1,990

Please refer to manufacturers catalogue book for full product specifications and exact product colours

# Infrío Ingredients Counter

- Temp Range:  $\pm 1^{\circ}\text{C}/+6^{\circ}\text{C}$
- Auto defrosting
- Fully automatic operation
- Electronic controller
- Stainless steel interior/exterior
- 1 Grill and set of supports per door
- Containers not included

## Infrío

ONLY  
€2,926



MPL1800

Model	Dimensions ( L x D x H mm)	Door	GN1/3	Capacity(L)	Price
MPL1800	1795x 700 x 1085	3	10	576	€2926

Please refer to manufacturers catalogue book for full product specifications and exact product colours

# Infrío Ingredients Counter

- Temp Range:  $\pm 1^{\circ}\text{C}/+6^{\circ}\text{C}$
- Auto defrosting
- Fully automatic operation
- Electronic controller
- Stainless steel interior/exterior
- 1 Grill and set of supports per door
- Containers not included
- Granite top 4.3mm depth



## Infrío

ONLY  
€3,426



SHT3080MT

Model	Dimensions ( L x D x H mm)	Door	GN1/3	Capacity(L)	Price
SHT3080MT	2005 x 850 x 1085	3	10	725	€3,426

Please refer to manufacturers catalogue book for full product specifications and exact product colours

# Professional Range Ingredients Preparation Table

**Infri**  **PRO**

Made In Turkey

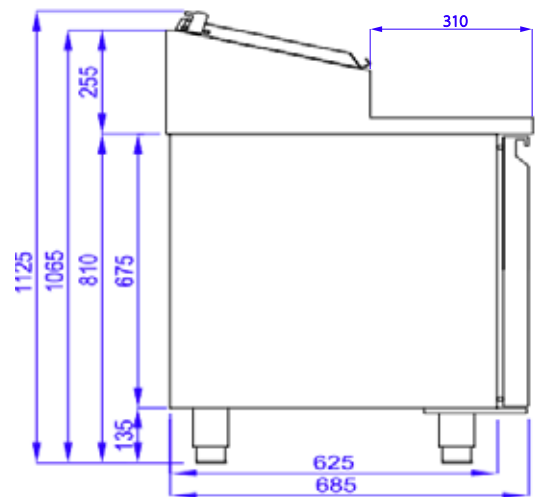


ONLY  
**€3,557**



IC1800

- Temp range: -2°C/+8°C
- Ambient temp 45°C + 65% RH
- Double internal fan
- Stainless steel externally/internally
- Castors
- Digital controller
- Electric defrost
- Containers not included
- R290
- Energy rating E



Model	Dimensions ( L x D x H mm )	GN 1/3	Weight ( Kg )	Price
IC1800	1865 x 700 x 850	10	185	€3,557

Please refer to manufacturers catalogue book for full product specifications and exact product colours

CHILLED & FROZEN STORAGE

# Infrío Ingredient Unit Counter Top VIP

- Temp range + 2°C /+ 8°C
- Stainless steel exterior / interior
- Electronically controlled
- 1/4 GN capacity
- Stainless steel lid
- Containers not included

# Infrío

ONLY  
€ 899



VIP 1200

Model	Dimensions ( L x D x H mm )	Capacity ( GN )	Weight ( Kg )	Price
VIP 1200	1200 x 335 x 240	5 x 1/4	45	€899
VIP 1400	1400 x 335 x 240	6 x 1/4	59	€926
VIP 1800	1800 x 335 x 240	69x 1/4	63	€1,080

Please refer to manufacturers catalogue book for full product specifications and exact product colours

# Infrío AMX Blast Chiller/Freezer

# Infrío

- Operating Temp
- 70°C to 3°C = 90mins
- 70°C to -18°C = 240mins
- Fan assisted
- Stainless steel construction
- Capacity 3 x 2/3GN
- Food Probe

ONLY  
**€2,354**

**AVAILABLE FROM FEB 2023**



AMX

Model	Dimensions ( L x D x H mm )	Capacity (L)	KG (Chill/Freeze)	Price
AMX2	465 x 678 x 701	33	8 / 5	€2,354

*Please refer to manufacturers catalogue book for full product specifications and exact product colours*

# Infrío AMX 10 Blast Chiller/Freezer

# Infrío

ONLY  
€5,219



- Operating Temp
- 70°C to 3°C = 90mins
- 70°C to -18°C = 240mins
- Fan assisted
- Stainless steel construction
- Capacity 1/1 or 600mm x 400mm
- Food Probe
- Interior: 660 (L) x 420 (D) x 870 (H)
- Reversible door



AMX 10

Model	Dimensions ( L x D x H mm )	Capacity	KG (Chill/Freeze)	Weight (Kg)	Price
AMX 10	800 x 815 x 1645	10	40 / 28	189	€5,219

\*Single phase power

Please refer to manufacturers catalogue book for full product specifications and exact product colours



# Infrío AMX 14 Blast Chiller/Freezer

- Operating Temp
- 70°C to 3°C = 90mins
- 70°C to -18°C = 240mins
- Fan assisted
- Stainless steel construction
- Capacity 1/1 or 600mm x 400mm
- Food Probe
- Interior: 660 (L) x 420 (D) x 1170 (H)
- Reversible door

## Infrío

ONLY  
€7,263



AMX 14

CHILLED & FROZEN STORAGE

Model	Dimensions ( L x D x H mm )	Capacity	KG (Chill/Freeze)	Weight (Kg )	Price
AMX 14	800 x 815 x 2170	14	55/38	273	€7,263

\*Three phase power 2000w

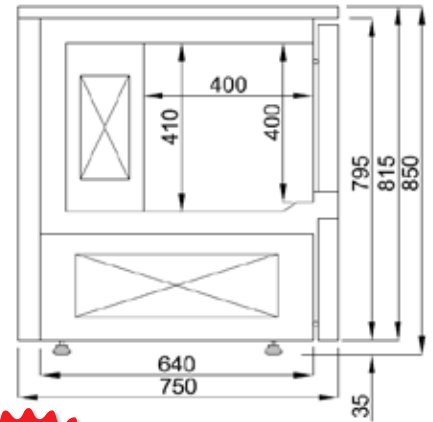
Please refer to manufacturers catalogue book for full product specifications and exact product colours

# Professional Range Blast Chiller/Freezer

**Infrio** PRO

*Made In Turkey*

- Operating temp
- 70°C to 3°C = 90mins
- 70°C to -18°C = 270mins
- Fan assisted
- Stainless steel construction
- Capacity 1/1 or 600mm x 400mm
- Food probe
- Digital control panel
- Automatic defrost with hot gas
- R290



ONLY  
**€3,903**



FBC5

Model	Dimensions ( L x D x H mm )	Capacity	KG (Chill/	Weight	Price
FBC5	800 x 750 x 850	5	20/15	161	€3,903

*Please refer to manufacturers catalogue book for full product specifications and exact product colours*

# Professional Range Blast Chiller/Freezer

**Infri**  **PRO**

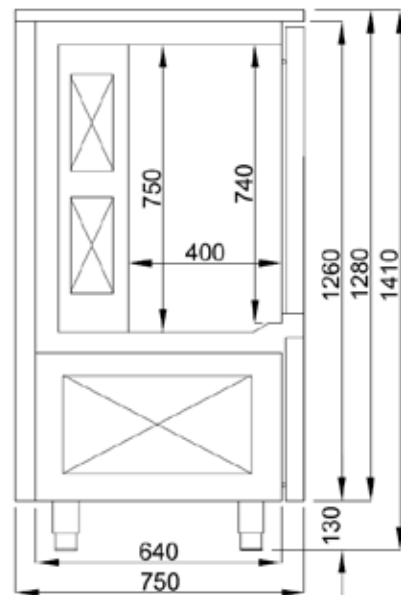
Made In Turkey

ONLY  
**€5,336**



FBC10

- Operating Temp
- 90°C to 3°C = 90mins
- 90°C to -18°C = 240mins
- Voltage 220v/50-1 hz
- Fan assisted
- Stainless steel construction
- Capacity 1/1 or 600mm x 400mm
- Food Probe
- Digital control panel
- Automatic Defrost with hot gas
- R290



CHILLED & FROZEN STORAGE

Model	Dimensions ( L x D x H mm )	KG (Chill/Freeze)	Weight (Kg )	Price
FBC10	800 x 750 x 1410	30/25	201	€5,336

Please refer to manufacturers catalogue book for full product specifications and exact product colours

# Infrío Chest Freezer

- Temperature -18°C ~ -25°C
- Digital Display
- Stainless Lid
- Castors

# Infrío

ONLY  
€1,117



BD400S

Model	Dimensions ( L x D x H mm )	Capacity (L)	Weight (Kg)	Price
BD400S	1395 x 650 x 845	370	63	€1,117

Please refer to manufacturers catalogue book for full product specifications and exact product colours

# Infrío CF2000SS Chest Freezer

# Infrío

ONLY  
€ 1,595

- Temperature -18°C / -25°C
- Stainless steel lid
- Analog Temperature
- Quick freez button
- Static cooling
- R290
- Ambient condition class 5
- Internal dimensions: 1549 x 504 x 650




BD600S

Model	Dimensions ( L x D x H mm )	Capacity(L)	Weight (Kg )	Price
BD600S	1795 X 660 X 845	503	75	€1,595

Please refer to manufacturers catalogue book for full product specifications and exact product colours

# DIHR D35 & D40 Glasswasher

- Double skin door
- Anti dropping roof panel
- Built-in rinse-aid pump
- Thermostop system
- Baskets supplied: 2 x glasses, 1 x saucer holder, 1 x cutlery basket
- Racks/hour 30  480/hr
- D35 - Useful height 195 mm
- D40 - Useful height 290 mm



ONLY  
€ 2,147




D40

Options	Price
Detergent Doser	€346
Drain Pump	€299

Model	Dimensions ( L x D x H mm )	Weight (Kg)	Power (Kw)	Basket	Price
D35	400 x 495 x 585	28	2.6	350 x 350	POA <a href="#">ORDER</a>
D40	450 x 535 x 700	28	2.6	400 x 400	€2,147
D40PS* <small>*With waste pump</small>	450 x 535 x 700	28	2.6	400 x 400	€2,390

Please refer to manufacturers catalogue book for full product specifications and exact product colours

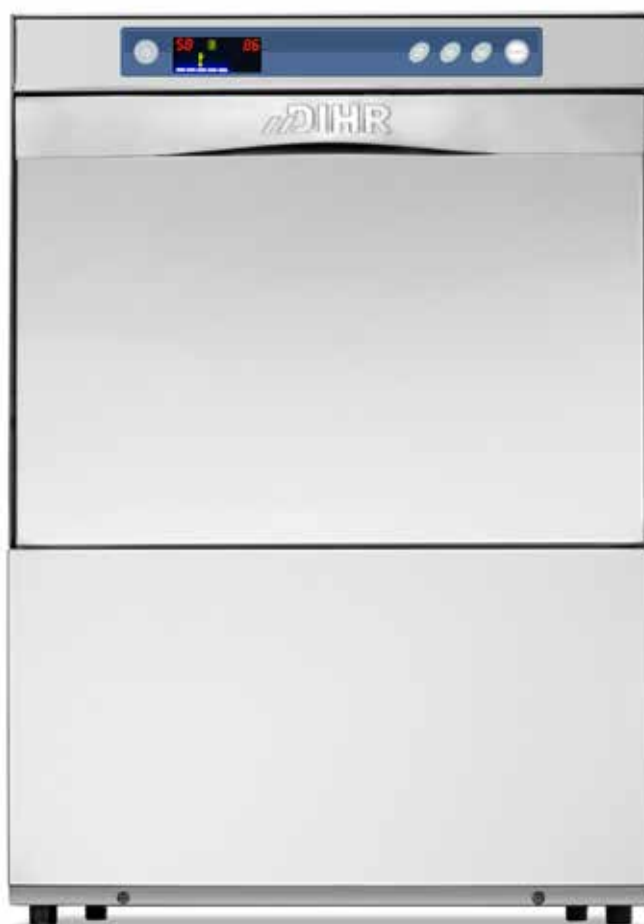
# DIHR GS50T Dishwasher with Digital Display

- Double skin door
- Anti-dropping roof panel
- Thermostop system
- Racks/hour 30/20  480/hr
- Useful height 345mm
- Baskets supplied: 1 x dishes, 1 x glasses, 1 x cutlery
- Power: 400V 3N-50Hz or 230V ~ 50Hz
- Power options: 3.5kw or 5.1kw

Options	Price
Detergent Doser	€346
Drain Pump	€299



ONLY  
€ 2,648





GS50T

Model	Dimensions ( L x D x H mm)	Weight (Kg)	Power	Basket	Price
GS50T	590 x 600 x 850	56	3.5 / 5.1	500 x 500	€2648
GS50TPS* <small>*With waste pump</small>	590 x 600 x 850	56	3.5 / 5.1	500 x 500	€2,884
GS50TPSDDE <small>*With waste pump &amp; detergent pump</small>	590 x 600 x 850	56	3.5 / 5.1	500 x 500	€3,154

Please refer to manufacturers catalogue book for full product specifications and exact product colours



# DIHR HT11 Eco Hood Dishwasher

- Hood operated start/stop functions
- Two wash cycles (sec) 120/180
- Deep-formed tank
- Double skin door
- Integrated suction/discharge circuit, for total draining
- Anti dripping roof panel
- Door security
- Built-in rinse-aid pump
- Thermostop system
- Possibility of corner installation
- Pump filter
- Easy to access for maintenance
- Tank and boiler thermometers
- Fully automatic process
- Easily removable basket support
- Baskets supplied: 2 x glasses, 2 x cutlery basket
- Racks/hour 46   1440-720/hr
- Useful height 410 mm

**DIHR**

ONLY  
**€ 5,164**



HT11 ECO

Model	Dimensions ( L x D x H mm )	Weight (Kg)	Power (Kw)	Basket	Price
HT11 ECO	720 x 735 x 1445 (Closed)	100	6.9 / 400V 3N	500 x 500	€5,164
HT11	720 x 735 x 1445 (Closed)	100	10.1	500 x 500	€5,690

Please refer to manufacturers catalogue book for full product specifications and exact product colours

# Infrio ESC400G Single Glass Door Fridge

**Infrio**

ONLY  
**€1,244**

- Temp range: +1°C/+10°C
- Fan assisted
- Digital electronic controller
- Lockable
- Interior illumination
- Led light
- Hinged left or right

**ENERGY  
SAVING**



ESC400G

Model	Dimensions ( L x D x H mm )	Shelves	Capacity ( L )	Weight (Kg)	Price
ESC400G	600 x 558 x 1850	4	350	83	€1,244

*Please refer to manufacturers catalogue book for full product specifications and exact product colours*

# Glass Door Display Fridge

- Temp  $\pm 0^{\circ}\text{C}/+10^{\circ}\text{C}$
- Digital controller
- Fan assisted
- Horizontal side interior LED light
- 5 Shelves
- R600a
- Lockable
- Internal dimensions: 490 x 447x 1557
- Energy Rating E

**Infrio**   
*Made In Turkey*

ONLY  
**€1,270**

**LED  
 LIGHTS**



**FS380**

**ENERGY  
 SAVING** 



CHILLED

Model	Dimensions ( L x D x H mm )	Shelves	Capacity ( L )	Weight (Kg)	Price
FS380	595 x 614 x 1803	5	360	69	€1,270

*Please refer to manufacturers catalogue book for full product specifications and exact product colours*

# Single Glass Door Display Fridge

**Infrio** 

- Temp  $\pm 2^{\circ}\text{C}/+8^{\circ}\text{C}$
- Digital controller
- Fan assisted
- Horizontal side interior LED light
- 4 Shelves
- R600a
- Lockable
- Internal dimensions: 564 x 700 x 1501
- Energy Rating E

ONLY  
**€1,699**



**G680**

CHILLED

Model	Dimensions ( L x D x H mm )	Shelves	Capacity ( L )	Weight (Kg)	Price
G680	680 x 810 x 2020	4	593	69	€1,699

Please refer to manufacturers catalogue book for full product specifications and exact product colours

# Double Hinged Glass Door Fridge

- Temp range: +2°C/+8°C
- Fan assisted
- Digital electronic controller
- Lockable
- 4 shelves per door
- Interior LED lights



P1300

Model	Dimensions ( L x D x H mm )	Shelves	Capacity ( L )	Weight (Kg)	Price
P1300	1370 x 710 x 1940	4	920	210	€2,535

Please refer to manufacturers catalogue book for full product specifications and exact product colours

# Double Hinged Glass Door Fridge

**Infrio** 

ONLY  
**€2,535**

- Temp range: 0°C/+10°C
- Fan assisted
- Digital electronic controller
- Lockable
- 4 shelves per door
- Horizontal side interior LED lights
- R290
- 2 Vertical Lights
- Internal dimensions: 1254 x 700 x 1501
- Energy Rating F



**G1370**

CHILLED

Model	Dimensions ( L x D x H mm )	Capacity ( L )	Weight (Kg)	Price
G1370	1370 x 810 x 2022	1088	185	€2,535

Please refer to manufacturers catalogue book for full product specifications and exact product colours

# Double Sliding Glass Door Fridge

- Temp range: +2°C/+8°C
- Fan assisted
- Digital electronic controller
- Lockable
- 4 shelves per door
- Interior LED lights
- Internal dimensions: 1106 x 595 x 1376

# Infrío

ONLY  
€2,899



P100SD

CHILLED

Model	Dimensions ( L x D x H mm )	Capacity ( L )	Weight (Kg)	Price
P100SD	1200 x 710 x 1940	1030	204	€2,899

Please refer to manufacturers catalogue book for full product specifications and exact product colours



## Infrío 150H Back Bar Fridges

- Temperature +1°C/+10°C
- Black finish
- Replaceable magnetic door seal
- 2 shelves per door
- Lockable doors
- Digital controller

# Infrío



150H

BUY ONE

ONLY

€817

BUY TWO

ONLY

€723

Model	Dimensions ( L x D x H mm )	Doors	Weight (Kg)	Price
150H	600 x 520 x 900	1	48	€817

## Infrío 250H Hinged Back Bar Fridges

- Temperature +1°C/+10°C
- Black finish
- Replaceable magnetic door seal
- 2 shelves per door
- Lockable doors
- Digital controller

# Infrío



250H

BUY ONE

ONLY

€954

BUY TWO

ONLY

€926

BUY FOUR

ONLY

€890

Model	Dimensions ( L x D x H mm )	Doors	Weight (Kg)	Price
250H	900 x 520 x 900	2	62	€954

Please refer to manufacturers catalogue book for full product specifications and exact product colours

# Infrío 250S Sliding Door Back Bar Fridges

- Temperature +1°C/+10°C
- Black finish
- Replaceable magnetic door seal
- 2 shelves per door
- Lockable doors
- Digital controller

## Infrío

BUY ONE  
ONLY

€972

BUY TWO  
ONLY

€944

BUY FOUR  
ONLY

€908



250S

Model

Dimensions ( L x D x H mm )

Doors

Weight (Kg)

Price

250S

900 x 520 x 900

2

62

€972

Please refer to manufacturers catalogue book for full product specifications and exact product colours

# Infrío 350H Hinged Back Bar Fridges

## Infrío

- Temperature +1°C/+10°C
- Black finish
- Replaceable magnetic door seal
- 2 shelves per door
- Lockable doors
- Digital controller

BUY ONE  
ONLY

€1,235

BUY TWO  
ONLY

€1,117



350H

Model	Dimensions ( L x D x H mm )	Doors	Weight (Kg)	Price
350H	1350 x 520 x 900	3	80	€1,235

Please refer to manufacturers catalogue book for full product specifications and exact product colours

CHILLED



## Infrio BBC150H Back Bar Fridge

- Temperature +2°C/+10°C
- Black finish
- Replaceable magnetic door seal
- 2 shelves per door
- Lockable doors
- Digital readout
- Energy rating C

**Infrio** 



BUY ONE  
ONLY

€817

BUY TWO  
ONLY

€723



BBC150H

Model	Dimensions ( L x D x H mm )	Doors	Weight (Kg)	Price
BBC150H	620 x 505 x 900	1	48	€817

## Infrio BBC250H Hinged Back Bar Fridge

- Temperature +2 °C/+10°C
- Black finish
- Replaceable magnetic door seal
- 2 shelves per door
- Lockable doors
- Digital readout
- Energy rating C

**Infrio** 



BUY ONE  
ONLY

€954

BUY TWO  
ONLY

€926

BUY FOUR  
ONLY

€890



BBC250H

Model	Dimensions ( L x D x H mm )	Doors	Weight (Kg)	Price
BBC250H	920 x 505 x 900	2	62	€954

Please refer to manufacturers catalogue book for full product specifications and exact product colours

# Infrio BBC250S Sliding Door Back Bar Fridge

- Temperature +2°C/+10°C
- Black finish
- Replaceable magnetic door seal
- 2 shelves per door
- No lock
- Digital readout
- Energy rating C

**Infrio** 

BUY ONE ONLY  
**€972**

BUY TWO ONLY  
**€944**

BUY FOUR ONLY  
**€908**



BBC250S

CHILLED

Model	Dimensions ( L x D x H mm )	Doors	Weight (Kg)	Price
BBC250S	920 x 485 x 900	2	62	€972

Please refer to manufacturers catalogue book for full product specifications and exact product colours

# Infrio BBC350H Hinged Back Bar Fridge

**Infrio** 

- Temperature +1°C/+10°C
- Black finish
- Replaceable magnetic door seal
- 2 shelves per door
- Lockable doors
- Digital readout
- Energy rating C

BUY ONE  
ONLY  
**€1,235**

BUY TWO  
ONLY  
**€1,117**



**BBC350H**

Model	Dimensions (L x D x H mm)	Doors	Weight (Kg)	Price
BBC350H	1370 x 505 x 900	3	80	€1,235

Please refer to manufacturers catalogue book for full product specifications and exact product colours

# Infrio BBCSS250H Hinged Door Back Bar Fridge

- Temperature +2°C/+10°C
- Stainless Steel finish
- Replaceable magnetic door seal
- 2 shelves per door
- No lock
- Digital readout
- Energy rating C

**Infrio** 

BUY ONE  
ONLY  
**€1,226**

BUY TWO  
ONLY  
**€1,126**



**BBC250SSH**

CHILLED

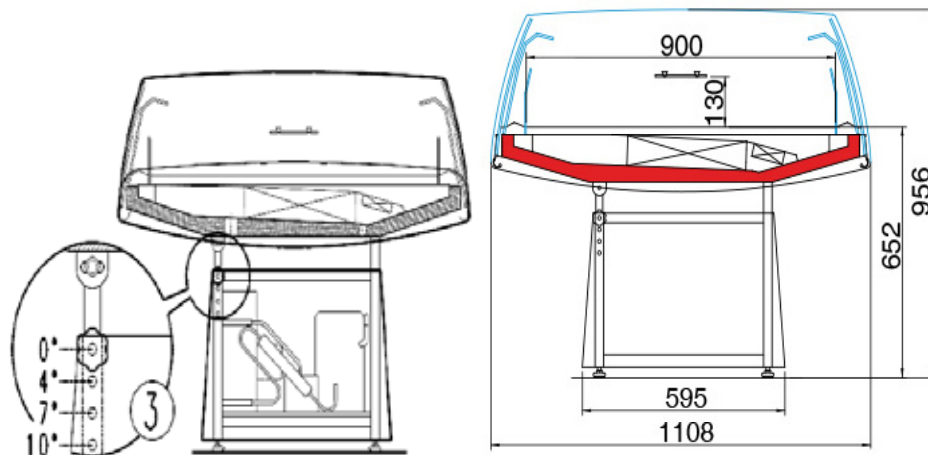
Model	Dimensions ( L x D x H mm )	Doors	Weight (Kg)	Price
BBCSS250H	920 x 505 x 900	2	62	€1,226

Please refer to manufacturers catalogue book for full product specifications and exact product colours



## Arche C Max XP Spider Display

- Temp range: +0°C/+2°C
- Fan assisted
- Electronic controller
- Fully automatic operation
- Multiplexable
- Decorative tube bumper
- Castors
- R290
- Perspex side panel
- Energy rating F



\*Climate class 3M1 +25°C, 60% RH

ONLY  
**€3,254**



CHILLED

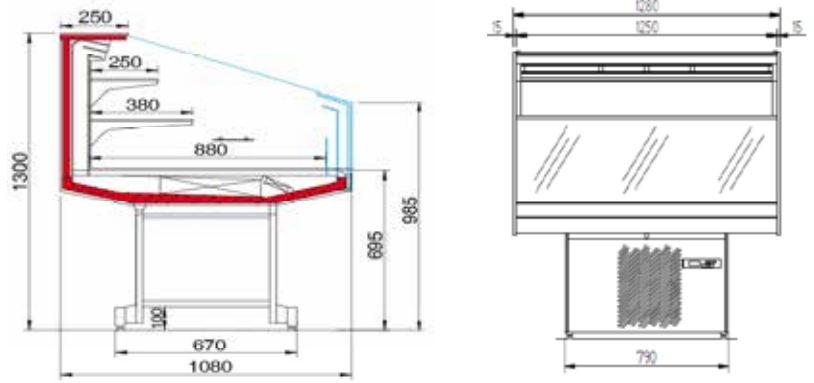
Model	Dimensions ( L x D x H mm )	Price
1m Arche C Max XP	977 x 1108x 956	€3,254
1.3m Arche C Max XP	1290 x 1108 x 956	€3,426

**DELIVERY NOT INCLUDED IN PRICE**

Please refer to manufacturers catalogue book for full product specifications and exact product colours

## Idra Tiered Display

- Temp range: +0°C/+2°C\*
- 2 Shelves
- Fan assisted
- Electronic controller
- Fully automatic operation
- Multiplexable
- Decorative tube bumper
- Perspex side panels
- Energy rating D




\*Climate class 3M1 +25°C 60% RH

ONLY  
**€5,181**



1.m Idra

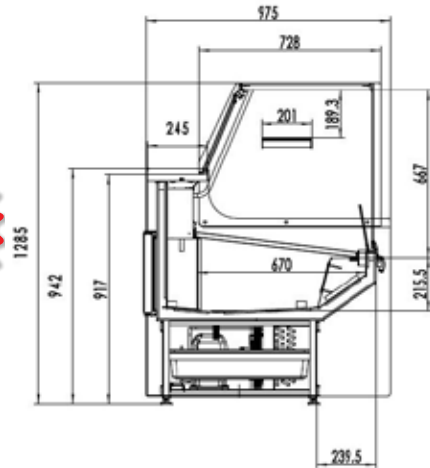
Model	Dimensions ( L x D x H mm )	Price
1m Idra	967 X 1080 X 1300	POA 
1.3m Idra	1280 x 1080 x 1300	€5,181

DELIVERY NOT INCLUDED IN PRICE

Please refer to manufacturers catalogue book for full product specifications and exact product colours

# Sirio Squared Glass Serve

- Temp range: +2°C/+7°C
- Fan assisted
- Electronic controller
- Fully automatic operation
- Ambient intermediate shelf
- Energy rating F



ONLY  
€2,582

**Infrigo**

**AVAILABLE FROM FEB 2023**



1.3m SIRIO

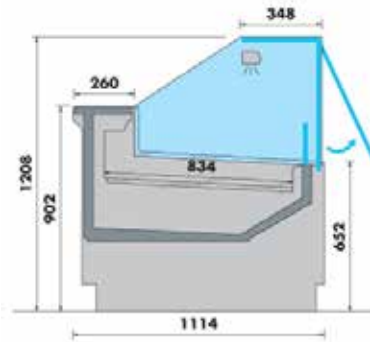
Model	Dimensions ( L x D x H mm )	Weight (Kg)	Price
1.3m Sirio Sq.	1280 x 975 x 1280	197	€2,582

**DELIVERY NOT INCLUDED IN PRICE**

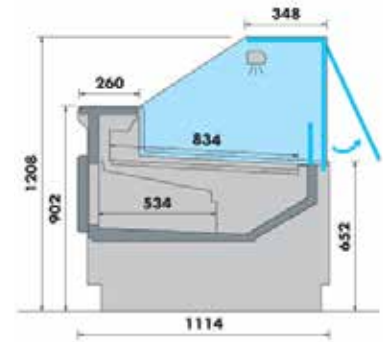
Please refer to manufacturers catalogue book for full product specifications and exact product colours

## Amalia Delux Square Glass Serve Over

- Temp range:  $\pm 0^{\circ}\text{C}/+5^{\circ}\text{C}$
- Fan assisted
- Refrigerated storage
- Hydraulically hinged curved glass
- Aluminium top
- Multiplexable
- Digital controller

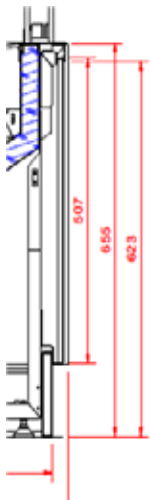


WITHOUT STORAGE  
Loading depth=280



WITH STORAGE  
Loading depth=130

ONLY  
**€5,916**



1m AMALIA DELUX RAL 5010



### Options

- Stepped Decking
- Amalia VVE
- Remote
- Without refrigerated storage
- Internal & external 90° corners
- Matching Heated display
- Curved glass model VCE

Model	Dimensions ( L x D x H mm )	Weight ( Kg )	Price
1m Amalia Delux	997 x 1114 x 1208	135	€5,916 <a href="#">ORDER</a>
1.3m Amalia Delux	1310 x 1114 x 1208	166	€7,090
1.6m Amalia Delux	1622 x 1114 x 1208	195	€7,659
2m Amalia Delux	1935 x 1114 x 1208	255	€8,439
2.5m Amalia Delux*	2500 x 1114 x 1208	315	€10,023 <a href="#">ORDER</a>
3.2m Amalia Delux*	3185 x 1114 x 1208	360	€11,036 <a href="#">ORDER</a>
3.75m Amalia Delux*	3810 x 1114 x 1208	400	€12464 <a href="#">ORDER</a>

Length of cases indicated with end panel. Thickness of end panel 30mm.

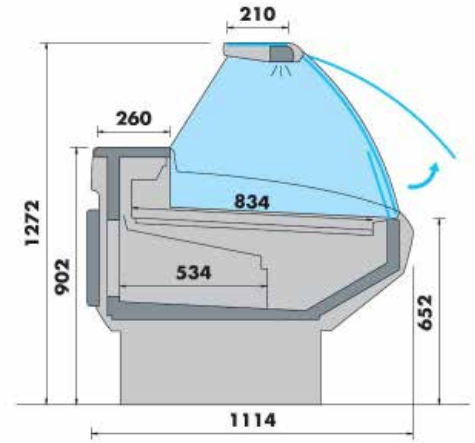
DELIVERY NOT INCLUDED IN PRICE

Please refer to manufacturers catalogue book for full product specifications and exact product colours

\*Please note collection to be arranged by the customer on cabinets of more than 2m.

## Amalia VCE Curved Glass Serve Over

- Temp range:  $\pm 0^{\circ}\text{C}/+5^{\circ}\text{C}$
- Fan assisted
- Refrigerated storage
- Hydraulically hinged curved glass
- Aluminium top
- Multiplexable
- Digital controller



ONLY  
**€5,434**



AMALIA VCE

### Options

- Remote
- Without refrigerated storage
- Internal & external 90° corners
- Matching Heated display

Model	Dimensions ( L x D x H mm )	Weight ( Kg )	Price
1m Amalia	1017 x 1114 x 1208	135	€5,434 <a href="#">ORDER</a>
1.3m Amalia	1330 x 1114 x 1208	166	€6,276
1.6m Amalia	1642 x 1114 x 1208	195	€7,129 <a href="#">ORDER</a>
2m Amalia	1955 x 1114 x 1208	255	€8,042
2.5m Amalia*	2580 x 1114 x 1208	315	€9,297 <a href="#">ORDER</a>
3m Amalia*	3205 x 1114 x 1208	360	€10,650 <a href="#">ORDER</a>
3.75m Amalia*	3830 x 1114 x 1208	400	€12,114 <a href="#">ORDER</a>

Length of cases indicated with end panel. Thickness of end panel 30mm.

DELIVERY NOT INCLUDED IN PRICE

Please refer to manufacturers catalogue book for full product specifications and exact product colours

\*Please note collection to be arranged by the customer on cabinets of more than 2m.



# Meal System Curved Display

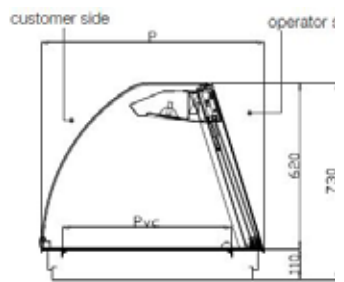
## HEATED DHT

- Temp range: +60°C/+90°C
- Fan assisted with humidity controlled
- Hydraulic curved glass
- Digital electronic a
- Halogen heat lamps

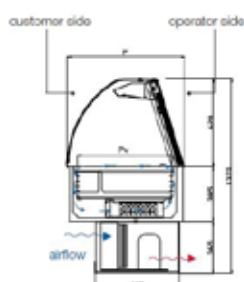
## REFRIGERATED DCT

- Temp range: ±0°C/+5°C
- Fan assisted
- Hydraulic curved glass
- Digital electronic controller

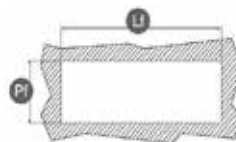
ONLY  
**€5,862**



HEATED DHT



REFRIGERATED DCT



Gastronorm	3 GN1/1	4 GN1/1	5 GN1/1
L (mm)	1100 (max 1195)	1450 (max 1455)	1755 (max 1780)
P (mm)	835 (max 840)	835 (max 840)	835 (max 840)



CHILLED

Model	Dimensions ( L x D x H mm )	Capacity (GN)	Refrigerated	Price
DCT 31	1125 x 860 x 620	3 GN + 1/3	—	€7,090 <a href="#">ORDER</a>
DCT 41	1455 x 860 x 620	4 GN + 1/3	—	€7,625 <a href="#">ORDER</a>
DCT 51	1780 x 860 x 620	5 GN + 1/3	—	€8,117 <a href="#">ORDER</a>
DCT 61	2105 x 860 x 620	6 GN + 1/3	—	€9,890 <a href="#">ORDER</a>

Model	Dimensions ( L x D x H mm )	Capacity (GN)	Heated (W)	Price
DHT 31	1125 x 860 x 620	3 GN + 1/3	3200	€5,862 <a href="#">ORDER</a>
DHT 41	1455 x 860 x 620	4 GN + 1/3	3200	€6,417 <a href="#">ORDER</a>
DHT 51	1780 x 860 x 620	5 GN + 1/3	4200	€7,162 <a href="#">ORDER</a>
DHT 61	2105 x 860 x 620	6 GN + 1/3	—	€9,017 <a href="#">ORDER</a>

DELIVERY NOT INCLUDED IN PRICE

Please refer to manufacturers catalogue book for full product specifications and exact product colours

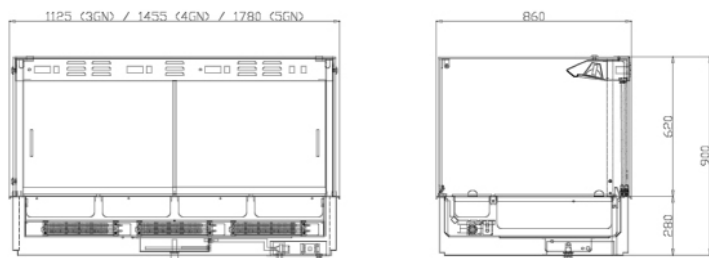
# Meal System Matching Square Display

## HEATED SCT

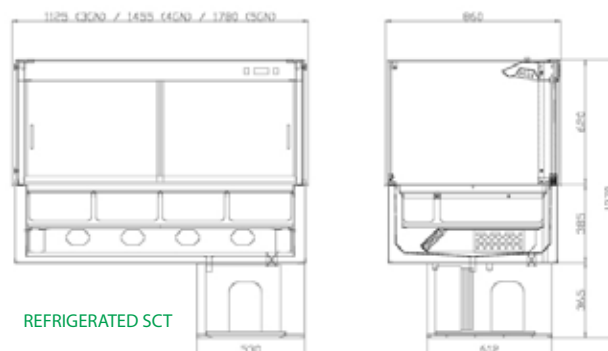
- Temp range: +60°C/+90°C
- Fan assisted with humidity controlled
- Digital electronic controller
- Halogen heat lamps

## REFRIGERATED SCT

- Temp range: ±0°C/+5°C
- Fan assisted
- Digital electronic controller



HEATED SHT



REFRIGERATED SCT



CHILLED

Model	Dimensions ( L x D x H mm )	Capacity (GN)	Heated (W)	Price
SCT 31	1125 x 860 x 620	3 GN + 1/3	_____	€7,727 <a href="#">ORDER</a>
SCT 41	1455 x 860 x 620	4 GN + 1/3	_____	€8,315 <a href="#">ORDER</a>
SCT 51	1780 x 860 x 620	5 GN + 1/3	_____	€8,857 <a href="#">ORDER</a>
SCT 61	2105 x 860 x 620	6 GN + 1/3	_____	€10,434 <a href="#">ORDER</a>

Model	Dimensions ( L x D x H mm )	Capacity (GN)	Heated (W)	Price
SHT 31	1125 x 860 x 620	3 GN + 1/3	3200	€6,575 <a href="#">ORDER</a>
SHT 41	1455 x 860 x 620	4 GN + 1/3	3200	€7,268 <a href="#">ORDER</a>
SHT 51	1780 x 860 x 620	5 GN + 1/3	4200	€8,056 <a href="#">ORDER</a>
SHT 61	2105 x 860 x 620	6 GN + 1/3		€9,607 <a href="#">ORDER</a>

DELIVERY NOT INCLUDED IN PRICE

Please refer to manufacturers catalogue book for full product specifications and exact product colours



# LEO Tiered Refrigerated Display

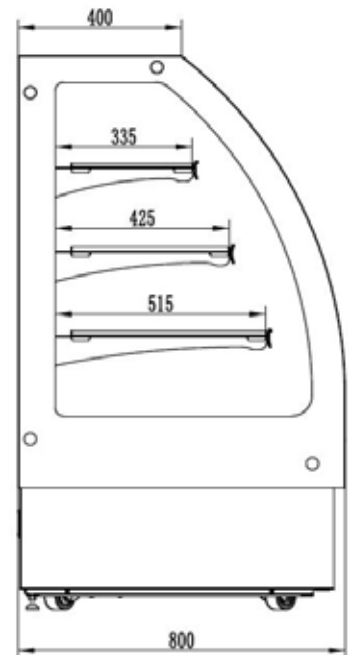
- Temperature range +2°C / +8°C
- Curved glass
- Fan assisted
- Digital controller
- Full automatic operation
- LED light in canopy and under shelves
- Double Glazed
- Heavy duty casters

## Infrio

ONLY  
€2,681



1.2m LEO



CHILLED

Model	Dimensions ( L x D x H mm )	Capacity	Price
900mm LEO* <small>*AVAILABLE FROM FEB 2023</small>	900 x 800 x 1368mm	290	€2,681
1.2m LEO	1200 x 800 x 1368mm	387	€2,844

Please refer to manufacturers catalogue book for full product specifications and exact product colours

# LEO Tiered Squared Glass Refrigerated Display

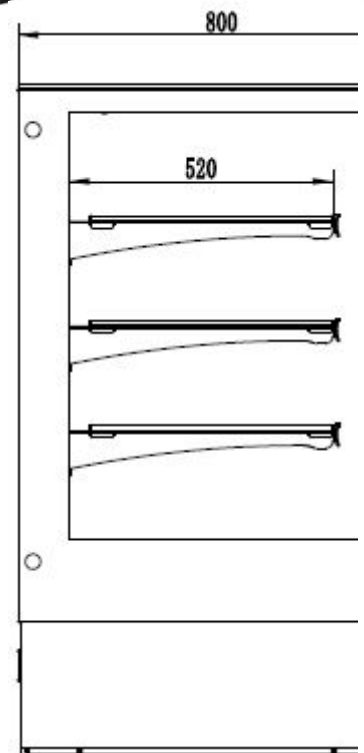
# Infrío

ONLY  
€2,681



- Temperature range +2°C / +8°C
- Squared glass
- Fan assisted
- Digital controller
- Full automatic operation
- LED light in canopy and under shelves
- Double Glazed
- Heavy duty casters

**AVAILABLE FROM FEB 2023**



1.2m LEO

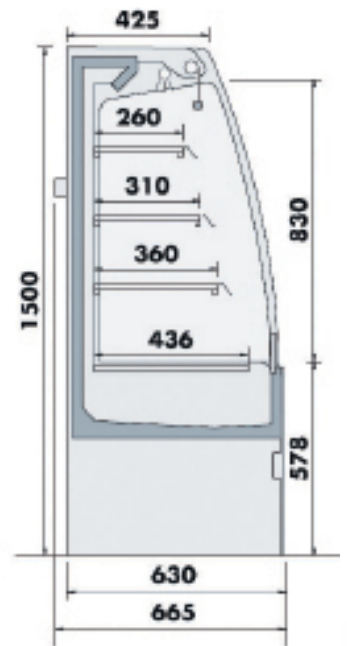
Model	Dimensions ( L x D x H mm )	Capacity	Price
900mm LEO*	900 x 800 x 1360mm	290	€2,681
1.2m LEO	1200 x 800 x 1360mm	387	€3,181

Please refer to manufacturers catalogue book for full product specifications and exact product colours

## Cronus Low Level Multideck

- Temp -10C ~ +50C
- Fully automatic operation
- Light in canopy
- Three shelves plus base
- Multiplexable
- Personalised colour options

ONLY  
€ 3,498



### Options

Stainless steel external/internal finish  
Depth 855mm



CRONUS



CRONUS S/S

Model	Dimensions ( L x D x H mm )	Price(Painted)	Price (Stainless Steel)
.625m Cronus Low Level	685 x 630 x 1500	€3,708 <a href="#">ORDER</a>	€4,122 <a href="#">ORDER</a>
.806m Cronus Low Level	866 x 630 x 1500	€3,904 <a href="#">ORDER</a>	€4,290 <a href="#">ORDER</a>
1.3m Cronus Low Level	1310 x 630 x 1500	€4,949 <a href="#">ORDER</a>	€5,403 <a href="#">ORDER</a>
1.5m Cronus Low Level	1510 x 630 x 1500	€5,523 <a href="#">ORDER</a>	€6,034 <a href="#">ORDER</a>
1.9m Cronus Low Level	1935 x 630 x 1500	€6,596 <a href="#">ORDER</a>	€6,227 <a href="#">ORDER</a>

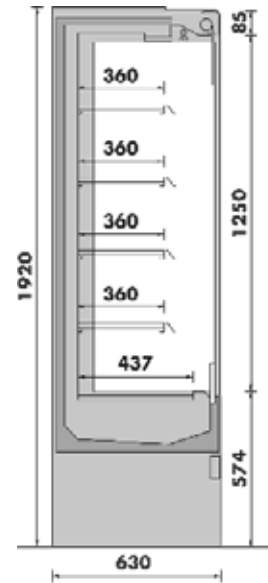
DELIVERY NOT INCLUDED IN PRICE

Please refer to manufacturers catalogue book for full product specifications and exact product colours

## Cronus Stainless Steel Multideck

- Temp range -1°C/+5°C
- Stainless steel interior/exterior
- Fully automatic operation
- Light in canopy
- Digital controller
- 4 shelves plus base
- Night blind

ONLY  
**€6,015**



1.3m CRONUS



Sliding Door



Open Door

Model	Dimensions (L x D x H mm)	Weight (Kg)	Price (Energy Rating)		
			Sliding	Hinged	Open
0.6m Cronus S/S	685 x 630 x 1920	120	---	€4,866(C)	€4,327(G)
0.8m Cronus S/S	866 x 630 x 1920	170	---	€4,873(C)	€4,436(G)
1.3m Cronus S/S	1310 x 630 x 1920	215	€5,512(C)	€5,587(C)	€6,015(F)
1.5m Cronus S/S	1510 x 630 x 1920	235	€6,290(C)	€6,131 (C)	€6,498(E)
2m Cronus S/S	1935 x 630 x 1920	305	€7,550(C)	€7,631(C)	€7,464(G)

Length of cases indicated in mm with end panel. Thickness of end panel 40mm.

**DELIVERY NOT INCLUDED IN PRICE**

Please refer to manufacturers catalogue book for full product specifications and exact product colours



## Cronus Painted Multideck

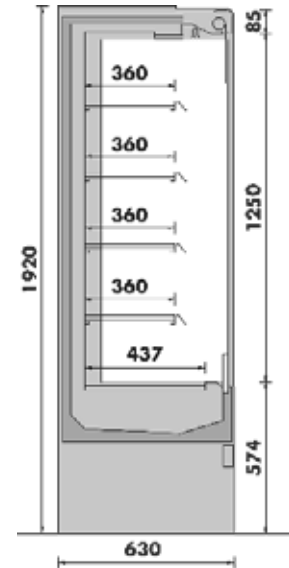
- Temp range -1°C/+5°C
- Stainless steel interior/exterior
- Fully automatic operation
- Light in canopy
- Digital controller
- 4 shelves plus base
- Night blind



1.5m CRONUS PAINTED



ONLY  
€5,615



Sliding Door



Open Door

Model	Dimensions (L x D x H mm)	Weight (Kg)	Price (Energy Rating)		
			Sliding	Hinged	Open
0.6m Cronus S/S	685 x 630 x 1920	120	---	€4,553	€3,970(G) <a href="#">ORDER</a>
0.8m Cronus S/S	866 x 630 x 1920	170	---	€4,624(C)	€3,994(G) <a href="#">ORDER</a>
1.3m Cronus S/S	1310 x 630 x 1920	215	€5,091(C)	€5,194(C)	€5,327(F) <a href="#">ORDER</a>
1.5m Cronus S/S	1510 x 630 x 1920	235	€5,761(C)	€5,358(C)	€5,615(E) <a href="#">ORDER</a>
2m Cronus S/S	1935 x 630 x 1920	305	€7,153(C)	€6,993(C)	€6,591(G) <a href="#">ORDER</a>

Length of cases indicated in mm with end panel. Thickness of end panel 40mm.

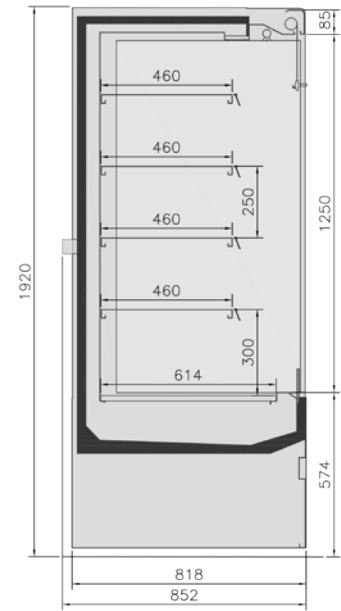
DELIVERY NOT INCLUDED IN PRICE

Please refer to manufacturers catalogue book for full product specifications and exact product colours

## Cronus Plus Stainless Steel Multideck

- Temp range -1°C/+5°C
- Stainless steel interior/exterior
- Fully automatic operation
- Light in canopy
- Digital controller
- 4 shelves plus base
- Night blind

ONLY  
€4,396



Sliding Door



Open Door

### CRONUS PLUS

Model	Dimensions (L x D x H mm)	Weight (Kg)	Price (Energy Rating)		
			Sliding	Hinged	Open
0.6m Cronus Plus	685 x 818 x 1920	120	---	€4,396(C)	€4,370(F) <a href="#">ORDER</a>
0.8m Cronus Plus	866 x 818 x 1920	170	---	€4,923(C)	€4,665(F) <a href="#">ORDER</a>
1.3m Cronus Plus	1310 x 818 x 1920	215	€5,897(C)	€5,325(C)	€5,651(F) <a href="#">ORDER</a>
1.5m Cronus Plus	1510 x 818 x 1920	235	€6,832(C)	€6,026(C)	€6,345(F) <a href="#">ORDER</a>
2m Cronus Plus	1935 x 818 x 1920	305	€8,453(D)	€7,640(D)	€7,056(G) <a href="#">ORDER</a>
2.5 Cronus Plus	2560 x 818 x 1920		€10,242(D)	€8,999(D)	€9,675(F) <a href="#">ORDER</a>

Length of cases indicated in mm with end panel. Thickness of end panel 40mm.

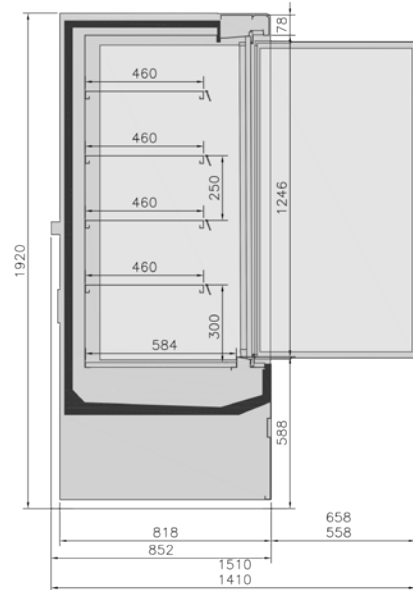
**DELIVERY NOT INCLUDED IN PRICE**

Please refer to manufacturers catalogue book for full product specifications and exact product colours

## Cronus Plus Painted Multideck

- Temp range -1°C/+5°C
- Stainless steel interior/exterior
- Fully automatic operation
- Light in canopy
- Digital controller
- 4 shelves plus base
- Night blind

ONLY  
**€5,716**



1.5m CRONUS PLUS



Sliding Door



Open Door

Model	Dimensions (L x D x H mm)	Weight (Kg)	Price (Energy Rating)		
			Sliding	Hinged	Open
0.6m Cronus Plus	685 x 818 x 1920	120	---	€4,216(C)	€4,157(F) <a href="#">ORDER</a>
0.8m Cronus Plus	866 x 818 x 1920	170	---	€4,677(C)	€4,422(F) <a href="#">ORDER</a>
1.3m Cronus Plus	1310 x 818 x 1920	215	€5,405(C)	€4,992(C)	€5,235(F) <a href="#">ORDER</a>
1.5m Cronus Plus	1510 x 818 x 1920	235	€6,253(C)	€5,716(C)	€5,893(F) <a href="#">ORDER</a>
2m Cronus Plus	1935 x 818 x 1920	305	€7,737(D)	€7,141(D)	€6,416(G) <a href="#">ORDER</a>
2.5 Cronus Plus	2560 x 818 x 1920		€9,268(D)	€8,261(D)	€9,015(F) <a href="#">ORDER</a>

Length of cases indicated in mm with end panel. Thickness of end panel 40mm.

**DELIVERY NOT INCLUDED IN PRICE**

Please refer to manufacturers catalogue book for full product specifications and exact product colours



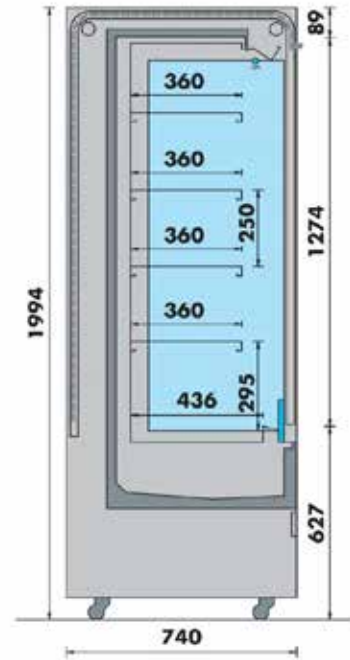
## Cronus EM Shutter Multi-Deck

- Temp range:  $\pm 0^{\circ}\text{C}/+5^{\circ}\text{C}$
- Manual shutter
- Fully automatic operation
- Stainless steel interior/exterior
- Solid or glass panels
- Four shelves plus base
- Digital controller
- Canopy lighting
- Castor

### Options

- Glass side panel

ONLY  
**€7004**



1.3m CRONUS EM



GLASS SIDE PANEL

Model	Dimensions (L x D x H mm)	Weight (Kg)	Price (Energy Rating)	
			Painted	Stainless Steel
.885m Cronus EM Shutter	885 x 740 x 1970	150	€4,989(G)	€5,374(G) <a href="#">ORDER</a>
1.3m Cronus EM Shutter	1310 x 740 x 1970	205	€6,264(F)	€7,004(F) <a href="#">ORDER</a>
1.5m Cronus EM Shutter	1510 x 740 x 1970	240	€6,717(E)	€7,529(E) <a href="#">ORDER</a>
2m Cronus EM Shutter	1935 x 740 x 1970	285	€7,599(G)	€8,585(G) <a href="#">ORDER</a>

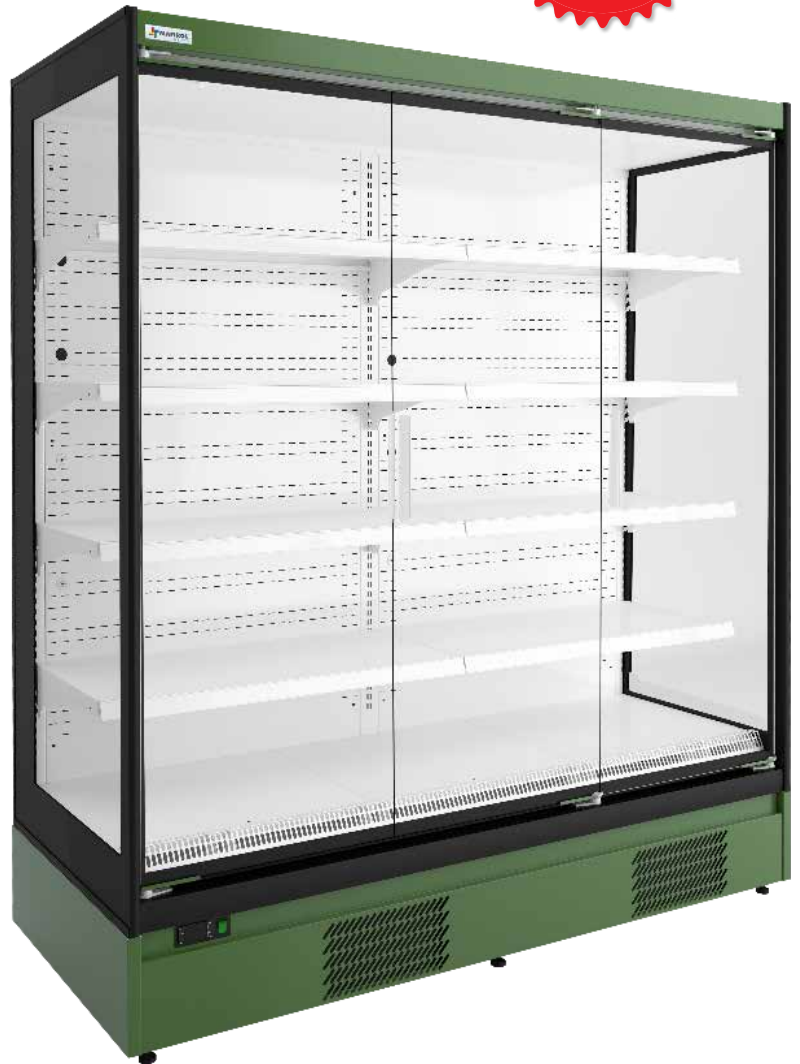
DELIVERY NOT INCLUDED IN PRICE

Please refer to manufacturers catalogue book for full product specifications and exact product colours

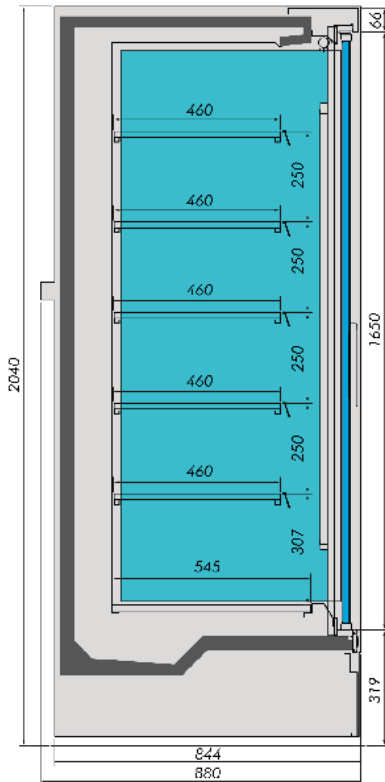
## Ultr Multi-Deck with Glass Door

- Temp range (-1°C/+5°C)\*
- Fan assisted
- Glass door
- LED lighting in canopy
- Plug in
- Thermostatic expansion valve
- Digital controller
- Low front
- Low consumption electronic fans
- Multiplexable
- Variable speed compressor
- R290
- End panels included
- Energy Class C

5 shelves plus base



\*Climate class 3 = +25°C/60%RH



ULTAR GLASS DOOR

MULTI-DECK

Model	Dimensions ( L x D x H mm )	Price
1.3m Ultrar w/glass Door*	1310 x 880 x 2040	€6,639 <a href="#">ORDER</a>
2m Ultrar w/glass Door*	1935 x 880 x 2040	€8,476 <a href="#">ORDER</a>
2.5m Ultrar w/glass Door*	2560 x 880 x 2040	€13,260 <a href="#">ORDER</a>
3.8m Ultrar w/glass Door*	3810 x 880 x 2040	€13,519 <a href="#">ORDER</a>

\*Undershelf lighting P.O.A

DELIVERY NOT INCLUDED IN PRICE

Please refer to manufacturers catalogue book for full product specifications and exact product colours

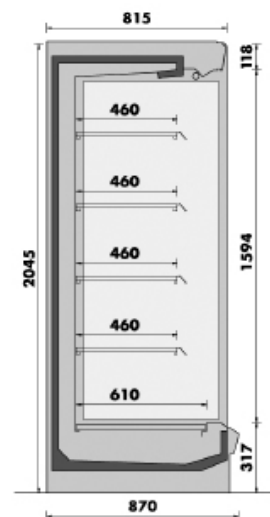
## Antartica Remote Multi-Deck

- Remote
- LED light in canopy
- LED Lighting 5 levels
- Electronic controller
- Multiplexable
- Night blind
- Bumper rail

Options:

- Undershelf Lighting
- End Panels
- Depths 750, 950

Extraction	Rate
Temp	Watt* Per Metre
-1°C/+1°C	1650 e-10°C
+2°C/+4°C	1450 e-10°C
+4°C/+6°C	1350 e-10°C
*25°C /60%HR	



ONLY  
**€5,983**



1.87m ANTARTICA

Model	Dimensions ( L x D x H mm )	Price	Lighting 5 Level
1.2m Antartica	1250 x 870 x 2045	€4,044	€154 <a href="#">ORDER</a>
1.87m Antartica	1875 x 870 x 2045	€5,983	€309 <a href="#">ORDER</a>
2.5m Antartica	2500 x 870 x 2045	€7,901	€881 <a href="#">ORDER</a>
3.75m Antartica	3780 x 870 x 2045	€9,547	€1254 <a href="#">ORDER</a>
*End Panel Mirror/Solid s/s	-	€490	
*End Panel Mirror/Glass	-	€490	
*Pipe Termination on top		€117	

\*End-panel to be added to cost of unit.  
Length of cases indicated in mm without end panel. Thickness of end panel 40mm.

**DELIVERY NOT INCLUDED IN PRICE**

Please refer to manufacturers catalogue book for full product specifications and exact product colours

## Antartica Remote Multi-Deck with Glass Door

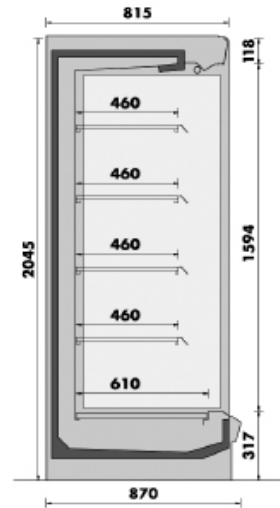
- Remote
- LED lighting behind posts
- Light in canopy
- Electronic controller
- Multiplexable
- Glass Door
- Bumper rail

Options:

- End Panels
- Depths 750, 950

Extraction	Rate
Temp	Watt* Per Metre
-1°C/+1°C	655 e-8°C
+2°C/+4°C	580 e-8°C
*25°C /60%HR	

ONLY  
**€ 4,868**



### ANTARTICA GLASS DOOR

Model	Dimensions ( L x D x H mm )	Price
1.2m Antartica w/glass Door	1250 x 870 x 2045	€4,868 <a href="#">ORDER</a>
1.87m Antartica w/glass Door	1875 x 870 x 2045	€6,260 <a href="#">ORDER</a>
2.5m Antartica w/glass Door	2500 x 870 x 2045	€8,059 <a href="#">ORDER</a>
3.75m Antartica w/glass Door	3780 x 870 x 2045	€10,710 <a href="#">ORDER</a>
*End Panel Stainless Steel Solid	-	€526 <a href="#">ORDER</a>
*End Panel Glass	-	€490 <a href="#">ORDER</a>
*Pipe Termination on top		€117

\*End-panel to be added to cost of unit.  
Length of cases indicated in mm without end panel. Thickness of end panel 40mm.

DELIVERY NOT INCLUDED IN PRICE

Please refer to manufacturers catalogue book for full product specifications and exact product colours

# Single Glass Door Freezer

# Infrío

- Temp range: -18°C/-23°C
- Forced air cooling
- LED lighting on both side
- LED lighting on advertising panel
- Electronic controller
- Door lock
- R290

ONLY  
€2,572

LED  
LIGHTS

**ENERGY**   
**SAVING**

Parts Warranty  
**1**  
Year  
Parts Warranty



390BT

Model	Dimensions ( L x D x H mm )	Shelf	Capacity ( L )	Weight (Kg)	Price
390BT	660 x 675 x 1955	6pcs	384	120	€2,572

Please refer to manufacturers catalogue book for full product specifications and exact product colours

# Single Glass Door Freezer

# Infrío

Made In Turkey

ONLY  
€2,472

- Temp range: -18°C/-24°C
- Forced air cooling
- LED lighting on both side
- Electronic controller
- Castors
- R290
- Fan switch
- Self Closing Door

**ENERGY**   
**SAVING**



VF500

SUPERMARKET

Model	Dimensions ( L x D x H mm )	Shelf	Capacity ( L )	Weight (Kg)	Price
VF500	690 x 805 x 2100	6pcs	450	128	€2,472

Please refer to manufacturers catalogue book for full product specifications and exact product colours



# Single Glass Door Freezer

# Infrío

- Temp range: -18°C/-24°C
- Fan assisted
- Fully automatic operation
- Electronic controller
- 2 Vertical Led Lights

ONLY  
€2,263

## ENERGY SAVING



D680

Model	Dimensions ( L x D x H mm )	Shelf	Capacity ( L )	Price
D680	564 x 810 x 2020	8pcs	593	€2,263

Please refer to manufacturers catalogue book for full product specifications and exact product colours

# Double Glass Door Freezer

- Temp range: -18°C/-24°C
- Fan assisted
- Fully automatic operation
- Electronic controller
- 2 Vertical Led Lights

# Infrío

ONLY  
**€3,964**

## ENERGY SAVING

**LED  
LIGHTS**

Parts Warranty  
**2  
Years**  
Parts Warranty



EIS1300

Model	Dimensions ( L x D x H mm )	Shelf	Capacity ( L )	Price
D1370	1370 x 810 x 2020	8pcs	1318	€3,964

Please refer to manufacturers catalogue book for full product specifications and exact product colours

# Professional Range Double Glass Door Freezer

- Temp range: -18°C/-22°C\*
- Digital controller
- Fan assisted
- Large capacity glass door freezer
- Casters
- R290
- 4 Vertical LED lights
- External RAL 9006
- 6 Shelves per door
- Energy rating E
- Triple glazed glass door

\*Min/Max ambient 16°C/32°C

**ENERGY SAVING**

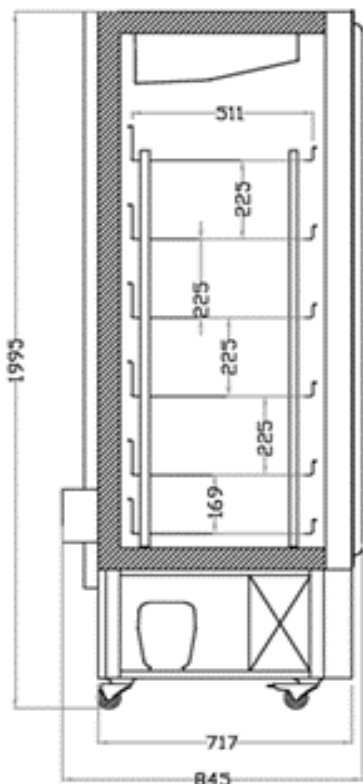
**Infrio** PRO

Made In Turkey

ONLY  
**€4,535**



**EIS1000**



SUPERMARKET

Model	Dimensions ( L x D x H mm )	Shelf	Capacity ( L )	Weight (Kg)	Price
EIS 1000	1400 x 845 x 1995	12pcs	1150	298	€4,535

Please refer to manufacturers catalogue book for full product specifications and exact product colours

# Triple Glass Door Freezer

- Temp range: -18°C/-22°C
- Fan assisted
- Fully automatic operation
- Electronic controller
- 2 Vertical Led Lights

# Infrío

ONLY  
**€6,090**

## ENERGY SAVING

**LED  
LIGHTS**

Parts Warranty  
**2  
Years**  
Parts Warranty  
Parts Warranty  
Parts Warranty



D2058

Model	Dimensions ( L x D x H mm )	Shelf	Capacity ( L )	Weight (Kg)	Price
D2058	2058 x 810 x 2020	12pcs	2039	376	€6,090

Please refer to manufacturers catalogue book for full product specifications and exact product colours

SUPERMARKET

## General Operation & Maintenance Guidelines

- Most refrigeration is designed to operate to Class 3 which is a maximum ambient temperature up to 25°C at the condenser and motor and a maximum humidity of 60%. If the temperature is not maintained below these guidelines it will result in poor function and an increase in internal temperatures inside the cabinet
- The condenser must be kept clean of dust or dirt on a weekly basis if it is not cleaned regularly potential failure of compressor and poor temperatures can result.
- Blocking of air vents on unit or replacing panel without sufficient ventilation holes will result in poor operation or damage to unit.
- Units must be placed in areas of ventilation or where ventilation can be installed to ensure heat can escape from the motor.
- Placing of units in direct solar glare will affect temperature of cabinet and products on display. For example, manufacturers lighting guidelines are 600 lux.
- Refrigeration units should not be placed near sources of heat or heating appliances.
- Ventilation fans, air-draughts or air-conditioning units cannot be placed behind open cabinets or in front of self-service refrigerated cabinets otherwise it will result in the breaking of the invisible refrigerated air curtain and cause units to freeze up and not work correctly. For example, manufacturers air velocity guidelines are 0, 2 m/sec.
- Products must be pre-chilled or frozen before placing inside display cabinets. In order for chilled product to be frozen a blast chiller is required. If chilled products are frozen in a standard ventilated storage freezer this will cause the build up of humidity and eventually lead to blockage of the evaporator with ice and possible compressor failure.
- Overloading of product inside cabinet will result in poor performance. Please refer to manufacturers manual or ask our representative for advice.
- Food Temperatures:
  1. Pre-chilled food +1°C / +4°C
  2. Bottle drinks and beer +1°C / +10°C
  3. Fresh meat ±0°C / +2°C
  4. Fresh Fish -1°C / +1°C
  5. Frozen Food -18°C / -22°C





## TRADING CONDITIONS

### TAXES

All prices quoted are exclusive of VAT

### TERMS & CONDITIONS

Full terms and conditions are available on request.

### DELIVERY CHARGES

Free delivery on orders over €300 excluding spare parts and products which do not include standard delivery. Refer to products page as not all equipment includes free delivery. Spare parts are subject to a min €20 delivery charge.

### WARRANTY

All products supplied with a minimum one-year parts warranty excluding parts classed as wearable such as bulbs, shelves, glass, elements and digital controllers.

### DELIVERY

Goods must be checked prior to signing as we cannot accept claims for goods signed for in good condition. Unpacking, positions or assembling is not included in the price

### E&OE

E&OE prices and specifications are subject to change without prior notice.

### WEEE

WEEE products need to be recycled at the end of their life span by your waste provider

### RETURNS & RESTOCKING

Only products which are standard stock items and have been approved by the company for restocking will be accepted. In this case a restocking fee of 25% is charged with 50% for goods unpacked including transport costs.

### PAYMENTS

Payments accepted by cheque, transfers, 30-day accounts, credit cards/debit cards

### OWNERSHIP

All goods remain the property of the company until paid for in full